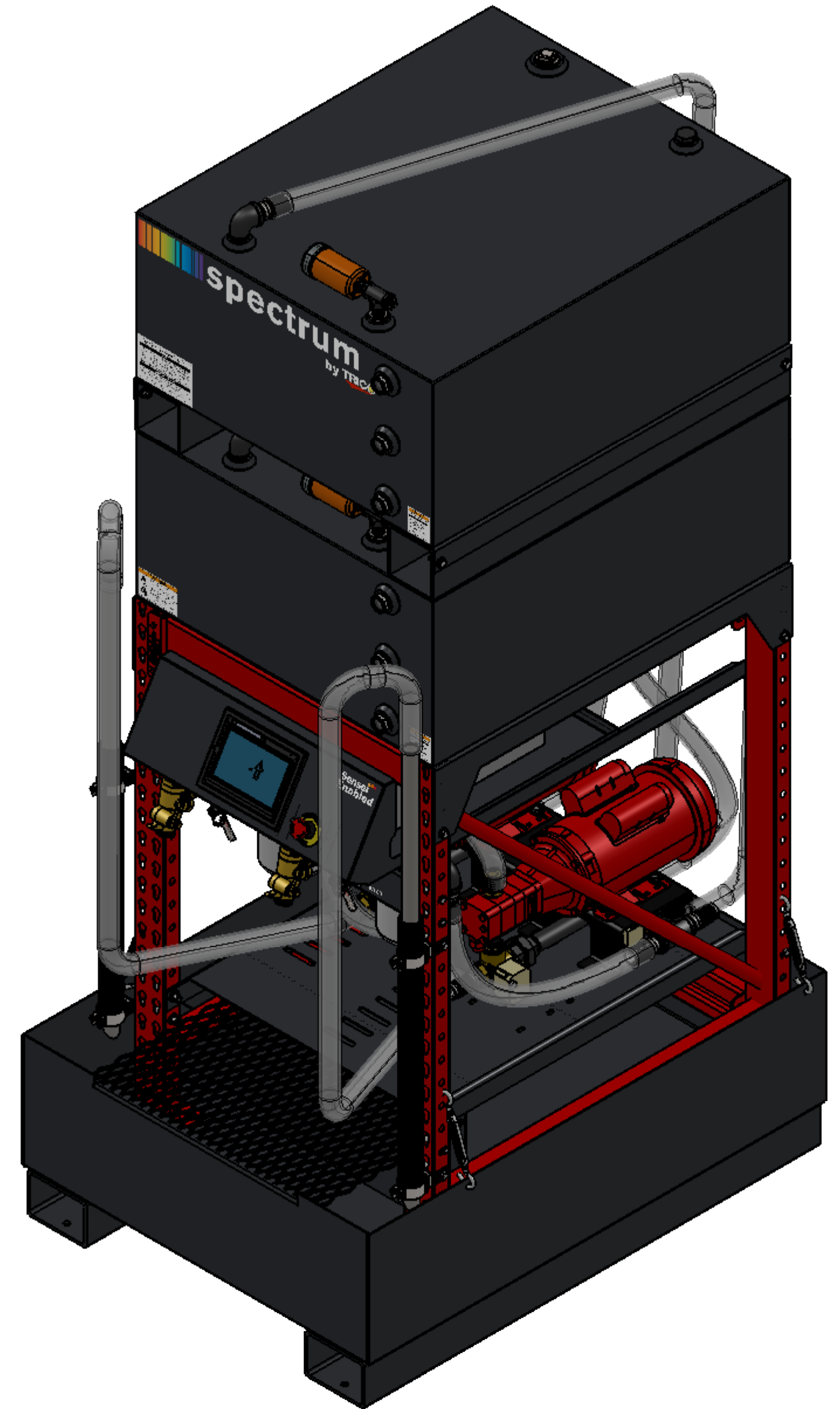
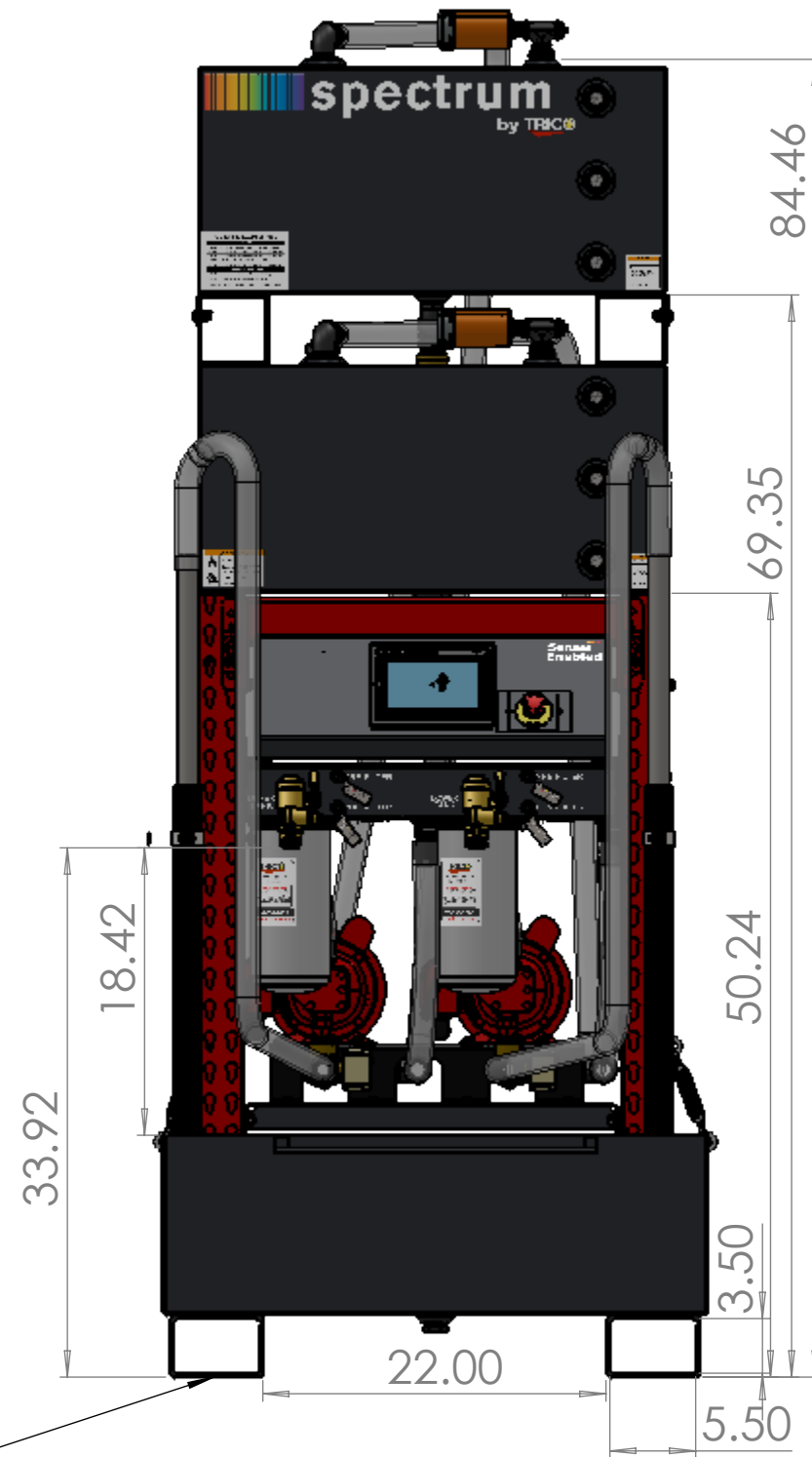
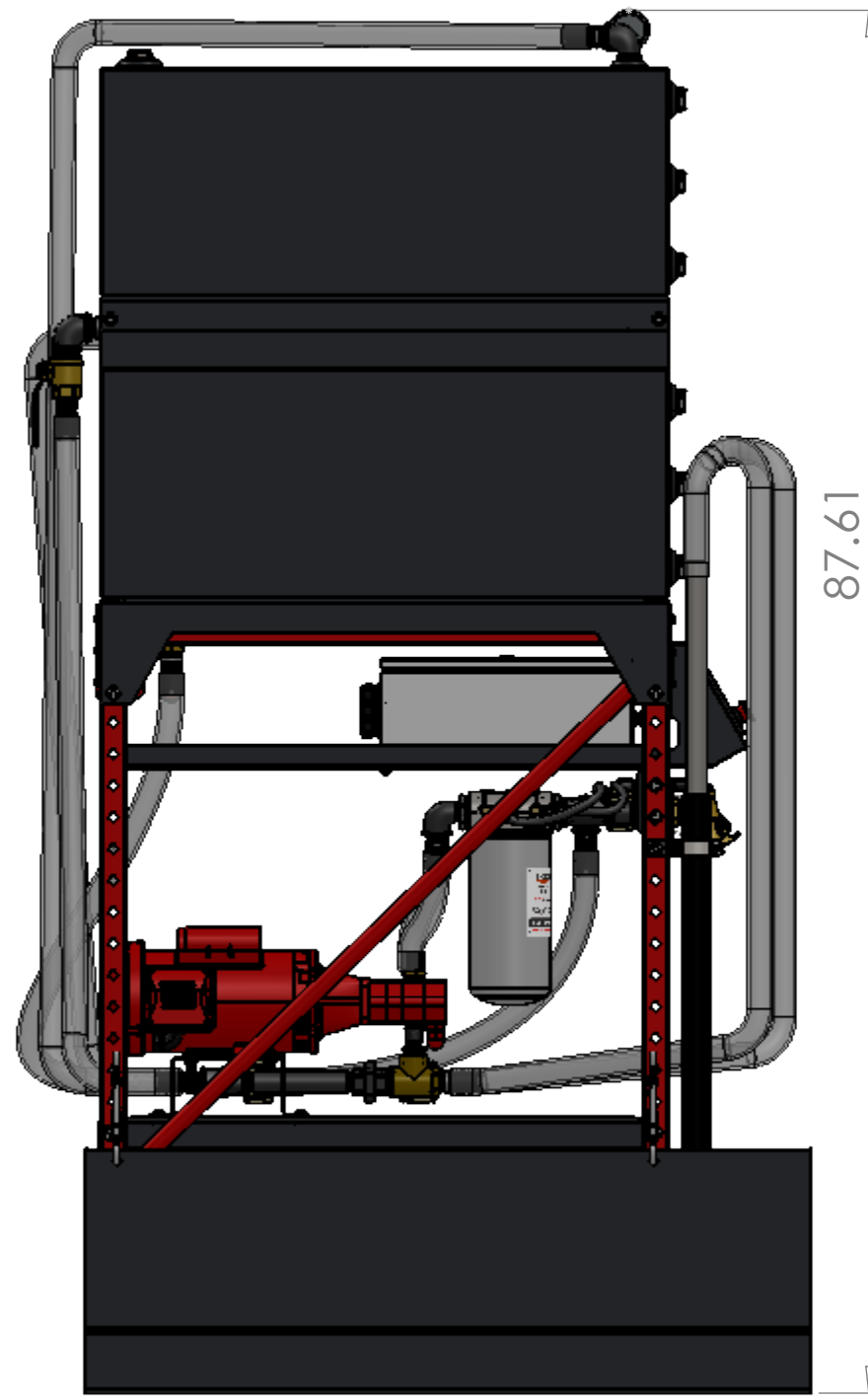
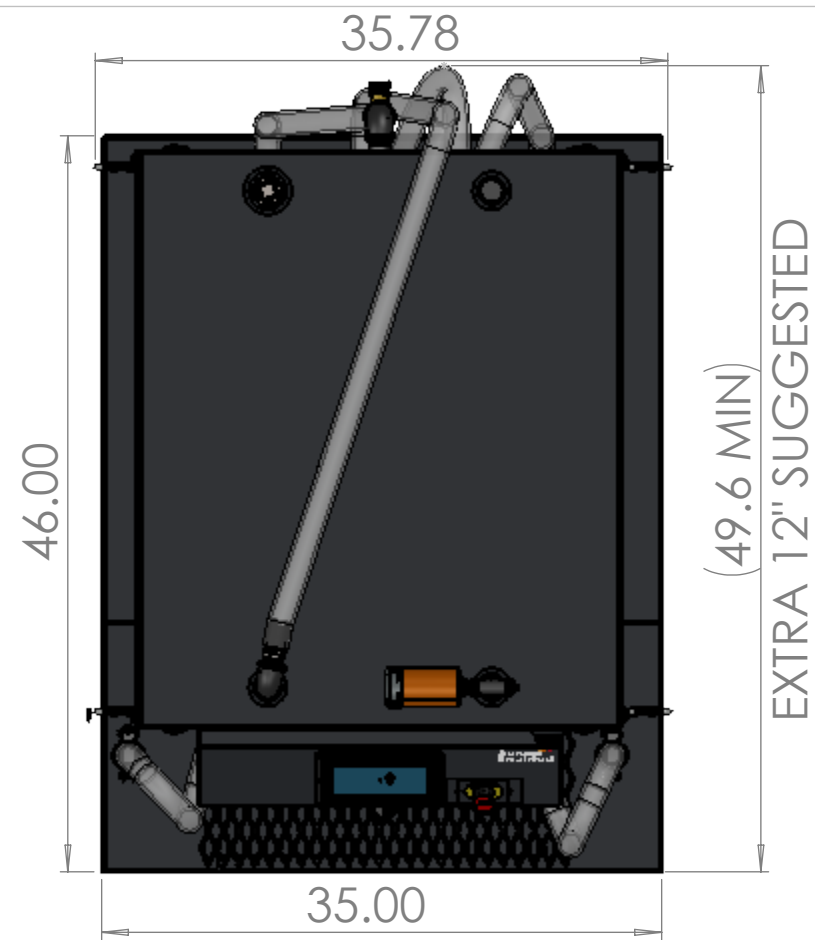
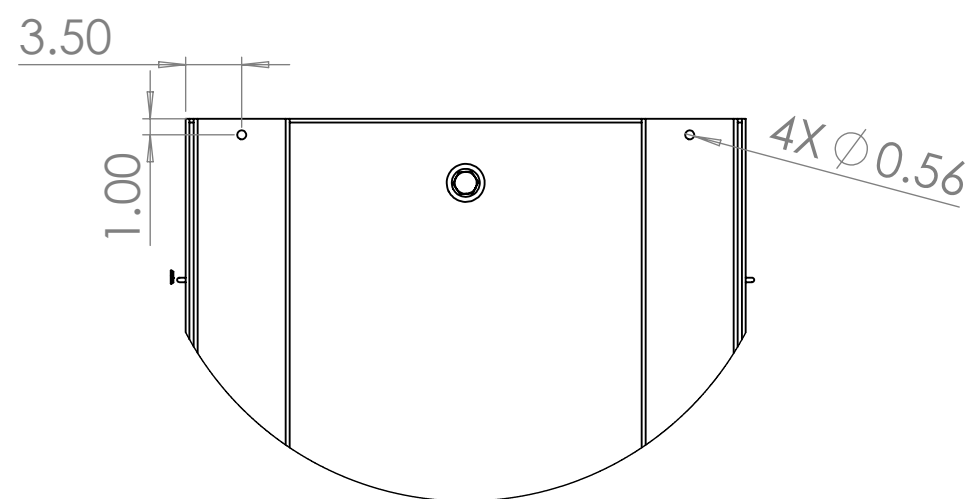


DRY WEIGHT: 950 LBS
 SHIPPING SKID SIZE: 41X58
 RACKING CAPACITY: 2500LBS
 POWER REQUIREMENTS:
 240V SINGLE PHASE 30A
 TWIST-LOCK NEMA L14-30 PLUG
 WETTED PARTS MATERIALS LIST:
 STAINLESS STEEL, GALVANIZED
 STEEL, ZINC PLATED STEEL, PVC,
 VITON, BUNA, BRASS, BRONZE,
 ALUMINUM, GALVANIZED IRON,
 BLACK COATED IRON



MOUNTING DETAILS

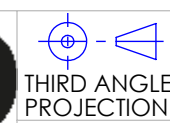


REVISIONS			
REV.	DESCRIPTION	DATE	APPROVED
A	BREATHER UPDATE	2/5/2024	AFB



PROPRIETARY AND CONFIDENTIAL

This drawing and any information or descriptive matter set out hereon are the confidential and copyright property of TRICO and must not be disclosed, loaned, copied or used for manufacturing, tendering or any other purpose without their written permission.



ALL DRAWINGS MUST BE CONSIDERED UNCONTROLLED UNLESS OTHERWISE STAMPED
ALL DIMENSIONS IN INCHES UNLESS OTHERWISE STATED

TOLERANCES:
X.XX ±.015
X.XXX ±.005
FRACTIONS ±1/16

GEOMETRICALLY TOLERANCED TO ANSI Y14.5 (BS ISO 1101)

DRAWN:	NAME: AFB	DATE: 10/1/2021
CHECKED:	NAME: AFB	DATE: 2/5/2024
APPRVD:		

DESCRIPTION / TITLE:
INTELLIGENT 2 TANK SPECIFICATIONS

SIZE: C	PART NUMBER: 37220	REV. A
---------	--------------------	--------

MATERIAL:	
STOCK SIZE:	
FINISH:	
SCALE: 1:10	SHEET: 1 OF 1

DO NOT SCALE DRAWING