



**LUBE  
Control**

Lube Control Pty Ltd

---

**STM**<sup>®</sup>

LEADERS IN FLUID TRANSFER SOLUTIONS

**OIL TAP**

■ **1894SERIES**



**1894001**



**1894002**

---

0.0



**LUBE  
Control**

Lube Control Pty Ltd



**WARNING:**

Read carefully and understand all INSTRUCTIONS before operating. Failure to follow the safety rules and other basic safety precautions may result in serious personal injury. Save these instructions in a safe place and on hand so that they can be read when required.

**Technical Details**

Ltem No.	18940012	18940013	18940021	18940022
Lnet Connection	BSP1/2"	NPS1/2"	BSP1/2"	NPS1/2"

- Maximum fluid pressure 100BAR/1450PSI.

**Safety Precautions**

**GENERAL SAFETY RULES**

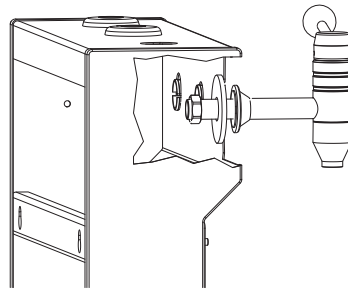
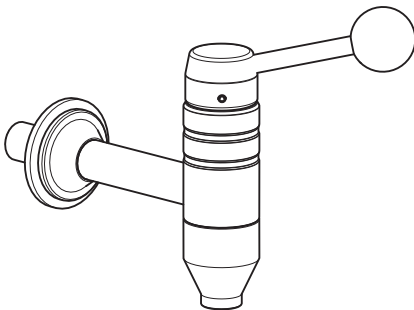


**WARNING:** Read and understand all instructions.

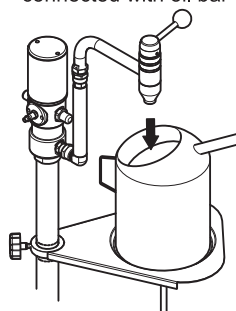
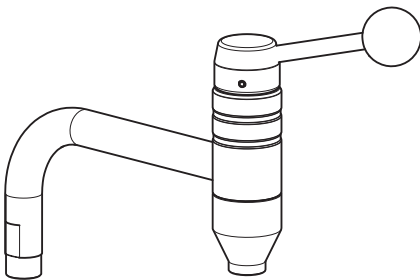


**WARNING:** The warnings, cautions, and instructions discussed in this instruction manual cannot cover all possible conditions or situations that could occur. It must be understood by the operator that common sense and caution are factors which cannot be built into this product, but must be supplied by the operator.

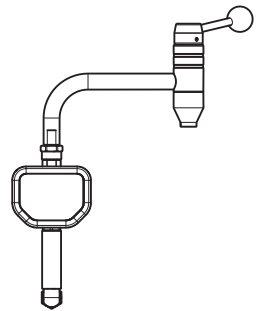
**Installation**



Oil tap can be connected with oil bar



Oil tap can be connected with pump



Oil tap can be connected with digital oil meter

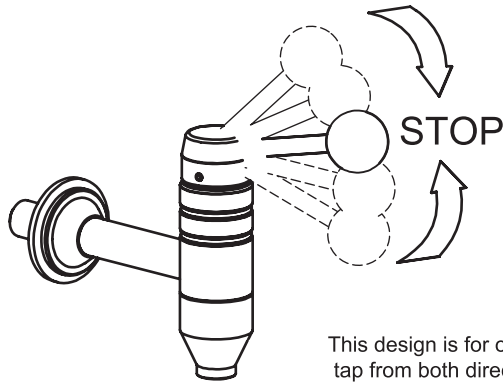


**LUBE  
Control**

Lube Control Pty Ltd

---

## Operation



This design is for opening the tap from both directions. The ball valve can be turned off automatically. There is a filter inside of the tap

## Limited Warranty

- 1.The manufacturer warrants this product against defects in material and craftsmanship, for a period of 36 months from date of purchase, but not including wearing parts.
2. Manufacturer's liability is limited to replacement or repair of defective material within the warranty period, when returned freight prepaid to the distributor or their designated service depot.
- 3.The warranty does not cover damage caused by accident, misuse or faulty installation.
- 4.The product must be installed and maintained in compliance with the instructions.

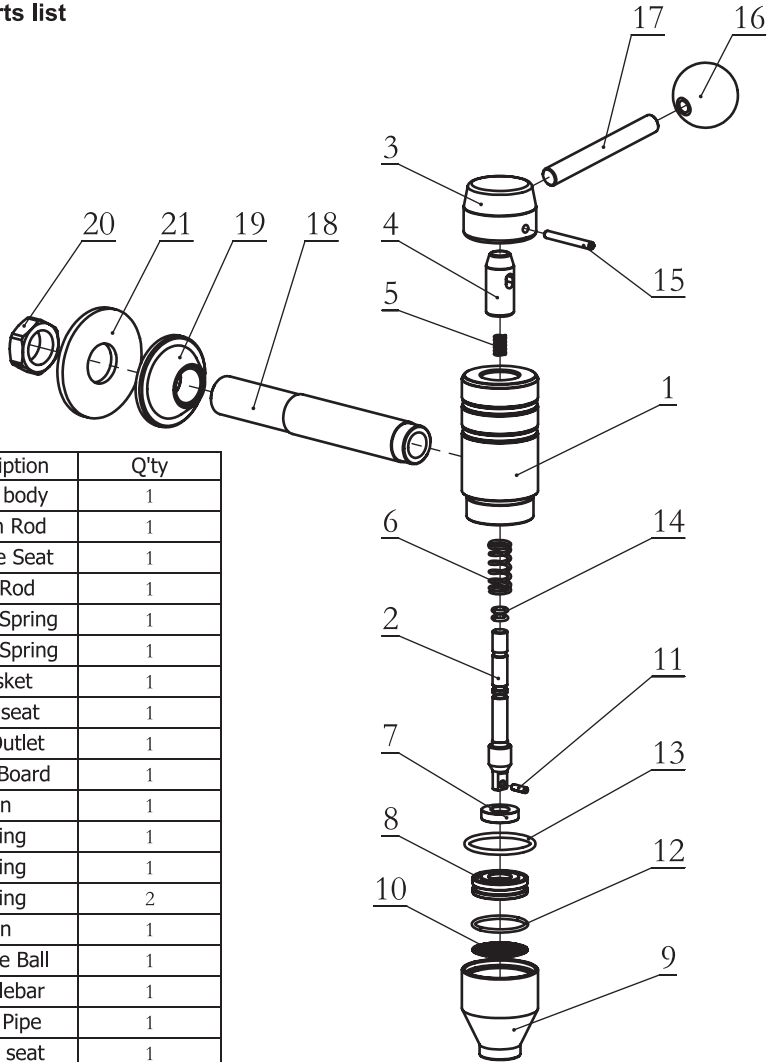


## WARNING

Your risk from these exposures varies, depending on how often you do this type of work. To reduce your exposure to these chemicals: work in a well ventilated area, and work with approved safety equipment, such as those dust masks that are specially designed to filter out microscopic particles.



**Explore and Parts list**



Part No.	Description	Q'ty
1	Valve body	1
2	Piston Rod	1
3	Handle Seat	1
4	Pull Rod	1
5	Upper Spring	1
6	Lower Spring	1
7	Gasket	1
8	Seal seat	1
9	Oil Outlet	1
10	Filter Board	1
11	Pin	1
12	O-ring	1
13	O-ring	1
14	O-ring	2
15	Pin	1
16	Handle Ball	1
17	Handlebar	1
18	Inlet Pipe	1
19	Fixed seat	1
20	Nut	1
21	Washer	1

**WEARING PARTS**

S1894					
Part No.	Description	Q'ty	Part No.	Description	Q'ty
7	Gasket	1	13	O-ring	1
12	O-ring	1	14	O-ring	1