



**LUBE
Control**

Lube Control Pty Ltd

STM
LEADERS IN FLUID TRANSFER SOLUTIONS

Drum Trolley Instruction Manual



WARNING:

Read carefully and understand all INSTRUCTIONS before operating. Failure to follow the safety rules and other basic safety precautions may result in serious personal injury. Save these instructions in a safe place and on hand so that they can be read when required. Keep these instructions to assist in future servicing.



**LUBE
Control**

Lube Control Pty Ltd



LEADERS IN FLUID TRANSFER SOLUTIONS

GENERAL SAFETY REGULATIONS



WARNING: The warnings, cautions, and instructions discussed in this instruction manual cannot cover all possible conditions or situations that could occur. It must be understood by the operator that common sense and caution are factors that cannot be built into this product, but must be supplied by the operator.

1. Keep the work area clean and dry. Damp or wet work areas can result in injury.
2. Keep children away from work area. Do not allow children to handle this product.
3. Use the right tool for the job. Do not attempt to force small equipment to do the work of larger industrial equipment. There are certain applications for which this equipment was designed. It will do the job better and more safely at the capacity for which it was intended. Do not modify this equipment, and do not use this equipment for a purpose for which it Was not intended.
4. Check for damaged parts. Before using this product, carefully check that it will operate properly and perform its intended function. Check for damaged parts and any other conditions that may affect the operation of this product. Replace damaged or worn parts immediately.
5. Do not overreach. Keep proper footing and balance at all times to prevent tripping, falling, back injury, etc.
6. DO NOT use the equipment when tired or under the influence of drugs, alcohol, or medication. A moment of inattention while operating this equipment may result in serious personal injury



LUBE
Control

Lube Control Pty Ltd

TECHNICAL DETAILS

Item No.	Drums Weight	Drums Diameter
DITI 1708001	20-60kgs	385mm
DITI 1708002	180-220kgs	600mm
DITI 1708003	180-220kgs	600mm

TECHNICAL DETAILS

EXPLODED AND PARTS LIST

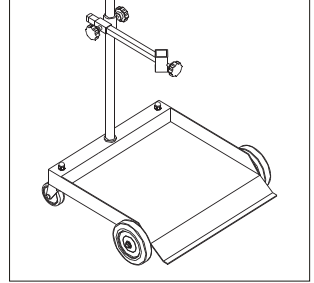
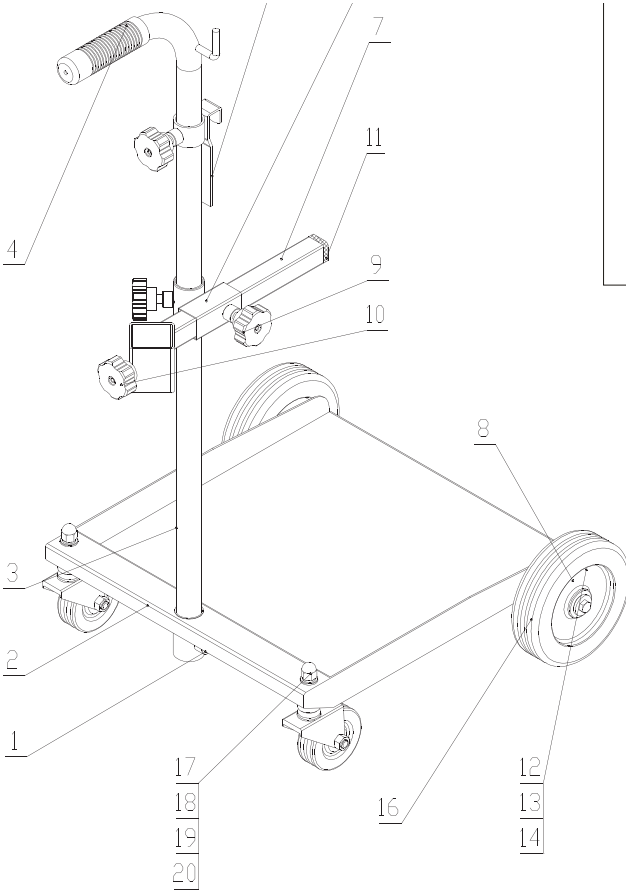
E1



**LUBE
Control**

Lube Control Pty Ltd

TECHNICAL DETAILS



EXPLODED AND PARTS LIST

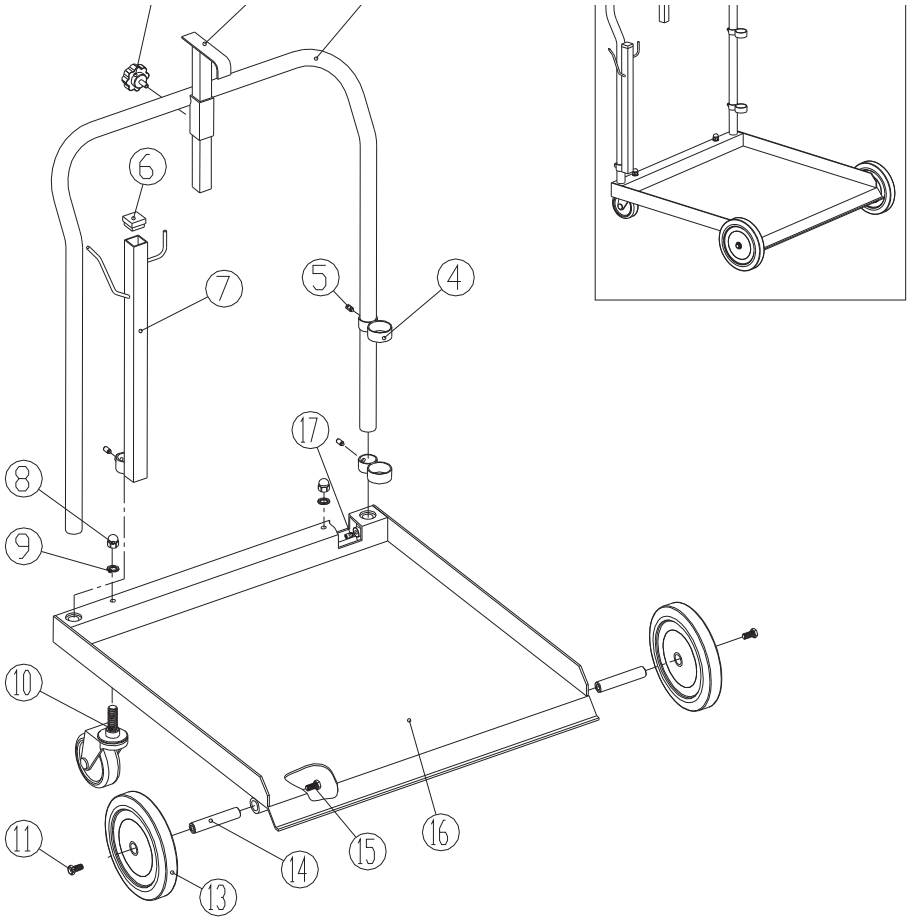
Part No.	Description	Q'ty	Part No.	Description	Q'ty
1	Screw	1	11	Blocker	1
2	Trolley Top	1	12	M6 Bolt	2
3	Handle	1	13	Washer	2
4	Handle Cover	1	14	M8 Bolt	2
5	Drum Support	1	16	Wheel	2
6	Adjustable Cover	1	17	Swivelling Wheel	2
7	Adjustable Pole	1	18	Acorn Nut	2
8	Hexagon Bolt	2	19	Washer	2
9	Handle Wheel	3	20	Washer	2
10	Accessory	1			

E2



**LUBE
Control**

Lube Control Pty Ltd



Part No.	Description	Q'ty	Part No.	Description	Q'ty
1	Accessories	1	10	A Swivelling Wheel	2
2	Drum Holder Support	1	11	Hexagon Bolt	2
3	Handle	1	13	Wheel	2
4	Pump Support	2	14	Axle	2
5	Hexagon Screw Set	3	15	Hexagon Bolt	2
6	Stopper	1	16	Trolley Top	1
7	Accessories Support	1	17	Hexagon Screw Set	2
8	Acom Nut	2			
9	Washer	2			

TECHNICAL DETAILS

EXPLODED AND PARTS LIST

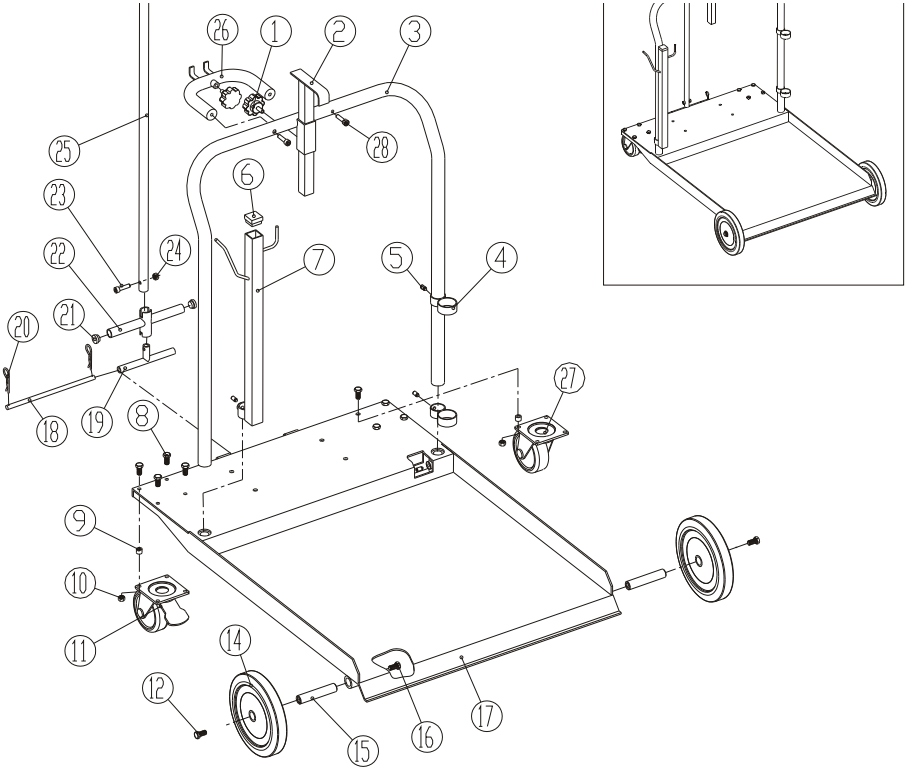
E3



**LUBE
Control**

Lube Control Pty Ltd

TECHNICAL DETAILS



EXPLODED AND PARTS LIST

Part No.	Description	Q'ty	Part No.	Description	Q'ty
1	Accessories	1	15	Axle	2
2	Drum Holder Support	1	16	Hexagon Bolt	2
3	Handle	1	17	Trolley Top	1
4	Pump Support	2	18	Joint Pin	1
5	Hexagon Screw Set	3	19	Handle Joint	1
6	Stopper	1	20	Hairpin Clip	2
7	Accessories Support	1	21	Stopper	2
8	Hexagon Bolt	8	22	Handle Grip	1
9	Washer	8	23	Hexagon Head Screw	1
10	Nut	8	24	Nut	1
11	Wheel with Brake	1	25	Movable Handle	1
12	Hexagon Bolt	2	26	Handle Support	1
14	Wheel	2	27	Wheel without Brake	1
			28	Hexagon Head Screw	2

E4



LUBE
Control

Lube Control Pty Ltd