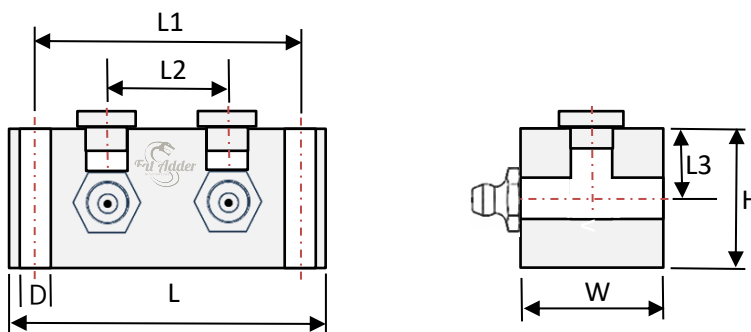


## Grease Anchor Blocks

Part Numbers RGB1, RGB2, RGB3,  
RGB4, RGB5, RGB6, RGB8, RGB10



Fat Adder offers Zinc Nickel Grease Anchor Blocks with grease nipples. These are an ideal solution to attach grease hoses or grease tubes to run remote grease lines to hard to reach grease points. Each block comes with 1/8BSP plugs and is "T" drilled giving the user an option to run the grease line parallel or perpendicular to the grease nipple. These are mountable anywhere with the two 6.5mm mounting holes.



Part Number	No of Connections	Nipple Thread	Measurements in mm						
			L	L1	L2	L3	W	H	D
RGB1	1	1/8BSP	38	28		12.5	25	25	6.5
RGB2	2	1/8BSP	60	50	22	12.5	25	25	6.5
RGB3	3	1/8BSP	84	74	22	12.5	25	25	6.5
RGB4	4	1/8BSP	106	96	22	12.5	25	25	6.5
RGB5	5	1/8BSP	128	118	22	12.5	25	25	6.5
RGB6	6	1/8BSP	150	140	22	12.5	25	25	6.5
RGB8	8	1/8BSP	194	184	22	12.5	25	25	6.5
RGB10	10	1/8BSP	238	228	22	12.5	25	25	6.5

Grease Anchor Block Material: Zinc Nickel  
Grease Nipple Material: Nickel Plated Steel

Fat Adder Remote Grease Lines  
Manufactured and Distributed by Lube Control Pty Ltd  
Head Office: 23 Arabrie Ave, Edwardstown, South Australia, 5039  
www.remotegreaselines.com.au

p: 1300 917 946

e: sales@lubecontrol.com.au

product overview