

**SINGLE PEDESTAL METAL HOSE REELS**

**LS SERIES**



MODEL NUMBERS
L-AWS1015
L-AWS1215
L-OS1215
L-GS0615
L-GS1015

## SINGLE PEDESTAL METAL HOSE REELS

---



### WARNING

Read carefully and understand all INSTRUCTIONS before operating. Failure to follow the safety rules and other basic safety precautions may result in serious personal injury. Save these instructions in a safe place and on hand so that they can be read when required. Keep these instructions to assist in future servicing.

### GENERAL SAFETY



### WARNING

The warnings, cautions, and instructions discussed in this instruction manual cannot cover all possible conditions or situations that could occur. It must be understood by the operator that common sense and caution are factors that cannot be built into this product, but must be supplied by the operator.

1. Keep the work area clean and dry.
2. Keep children away from work area.
3. Only use this equipment for what it has been designed for. Do not modify this equipment in any way.
4. Check for damaged or worn parts before using this product. Replace any damaged or worn parts immediately.
5. **Do Not** overreach and keep proper footing and balance at all times.
6. **Do Not** use the equipment when tired or under the influence of drugs, alcohol, or medication.

### SAFETY PRECAUTIONS

1. Use proper eye protection when assembling and using the hose reel.
2. Keep children away from the work area.
3. Personal injury and/or equipment damage may result if proper safety precautions are not observed.
4. Ensure that reel is properly installed before connecting input and output hoses.
5. Bleed fluid/gas pressure from system before servicing reel.
6. Before connecting reel to supply line ensure that pressure does not exceed maximum working pressure rating of reel.
7. Remember, even low pressure is very dangerous and can cause personal injury or death.
8. If a leak occurs in the hose or reel, remove system pressure immediately.
9. Ensure that reel, hose, and equipment being service are properly grounded.
10. If reel ceases to unwind or rewind, remove system pressure immediately.
11. Do not pull or jerk on hose.



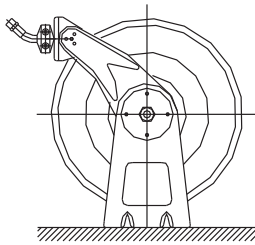
### WARNING

Exposure of skin directly to pressurized air, or fluids could result in severe bodily injury.

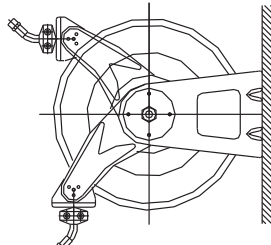
## SINGLE PEDESTAL METAL HOSE REELS

### INSTALLATION

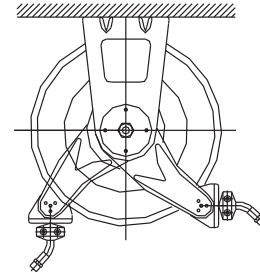
1. Prior to mounting the hose reel, ensure that the supply line pressure does not exceed the maximum working pressure of the hose reel.
2. Unpack and inspect reel for damage. Turn by hand to check for smooth operation.
3. Check for completeness.
4. Position the reel on the floor, wall or ceiling. Secure into place using four mounting bolts.
5. Depending on where the reel is placed, it may be necessary to adjust the hose bumper and guide arm to use the hose properly. See the instructions on the next page to adjust the hose bumper and reposition the guide arm.



Floor



Wall



Ceiling

### ADJUSTMENTS

Spring tension



#### WARNING

Use extreme caution as the reel is under tension. Avoid releasing latch mechanism.

1. If necessary, adjust spring tension on reel by adding or removing wraps of hose from spool, one wrap at a time, until desired tension is obtained. Add wraps to increase tension. Remove wraps to decrease tension.
2. Pull out the hose until the latch pawl is engaged. Loosen the hose bumper, then either add wraps or decrease the wraps.



#### CAUTION

When adding wraps of hose, be careful not to exceed the winding mechanism's spring capacity. Add just enough wraps of hose to achieve the desired tension. Damage to the winding mechanism will result if spring is over-tensioned.

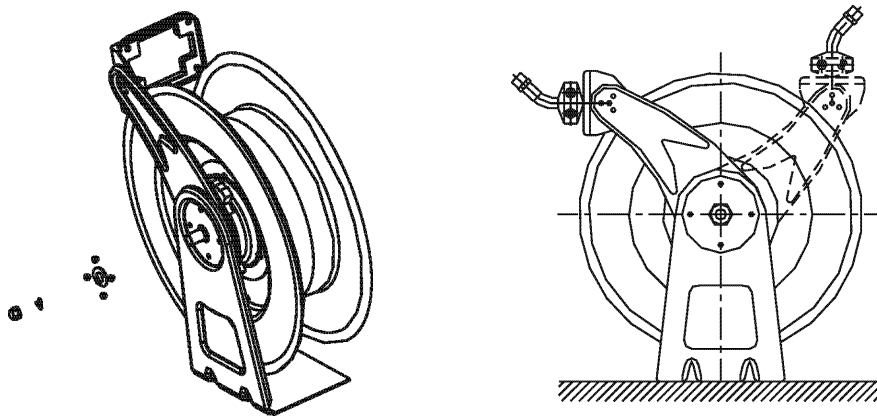
### Adjusting the hose bumper

1. Pull out the hose until the latch pawl is engaged, loosening the slotted screws and slide the bumper to the desired position, retighten the screws, then pull hose to disengage the latch.

## SINGLE PEDESTAL METAL HOSE REELS

### Repositioning Guide Arm

1. Pull out hose until the latch pawl is engaged. Remove bumper by removing the slotted screws.
2. Disengage the latch pawl while maintaining a firm hold on spool. Turn the spool hand over hand approximately two or three revolutions in the direction of the direction of the drive spring until tension is removed.
3. Remove the nuts and washer holding the guide arm and shift to base.
4. Revolute the guide arm and adjust to any of the two positions hinted.
5. According to each mounting application, recommend Guide Arm positions
6. Replace and tighten the nuts and washer.
7. Tighten the drive spring by turning the spool two or three revolutions and engage the latch pawl.
8. Pull the hose through the roller opening in the guide arm and replace the hose bumper.



### SERVICE INSTRUCTIONS



**WARNING:** Before performing any service, always disconnect and lock out compressed air or fluid, and remove all spring tension.

### Replacing the hose

1. To remove the hose
2. Pull out the hose leaving 2 to 3 feet on the spool. Engage the latch pawl.
3. Unthread the hose at the connection to the swivel tube. Remove the hose.
4. To install the hose
5. Slide the hose through the guide arm rollers and opening of the spool. Apply thread tape or sealant to hose threads.
6. Screw hose fitting into threaded fitting on swivel. Tighten connection with a wrench on fitting.
7. Install hose bumper on working end of hose if required.
8. Disengage latch pawl and allow hose to retract.

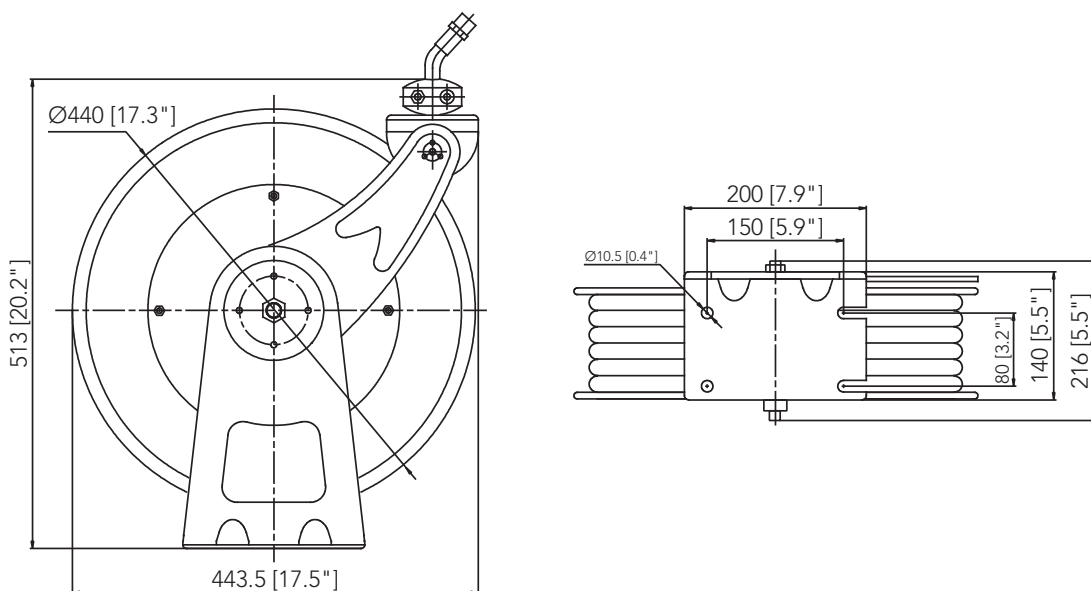
## SINGLE PEDESTAL METAL HOSE REELS

### Replacing the swivel

1. Turn off and disconnect supply line from swivel inlet.
2. Remove swivel assembly from reel axle.
3. Remove circlip from swivel, and take apart. Note: You may want to remove swivel from reel hose end, but this is not necessary unless a new swivel is being installed.
4. Replace the seals and reassemble swivel.
5. Use Teflon type or thread sealant on swivel thread fitting, reconnect the swivel thread fitting with axle.
6. Re-connect inlet supply line.

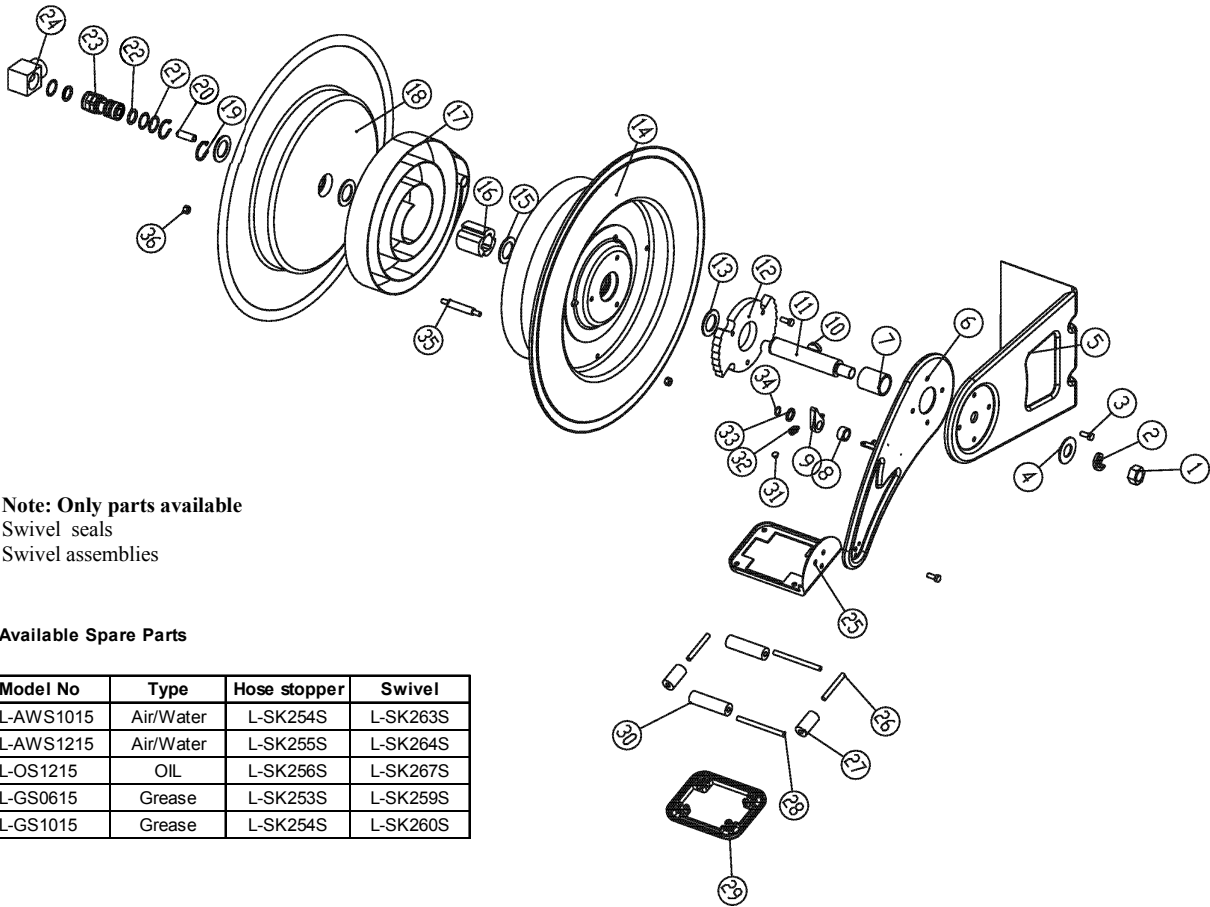
### SPECIFICATIONS

Part number	Description	Weight (Kg)	Hose	Pressure	Inlet	Outlet
L-AWS1015	Single Pedestal Air/Water Reel	24.8	10mm (3/8") x 15m (50 ft)	290 psi (20 bar)	3/8"BSPT (F)	3/8"BSPT (M)
L-AWS1215	Single Pedestal Air/Water Reel	25.8	12.5mm (1/2") x 15m (50 ft)	290 psi (20 bar)	1/2"BSPT (F)	1/2"BSPT (M)
L-OS1215	Single Pedestal Oil Reel	27.3	12.5mm (1/2") x 15m (50 ft)	2320 psi (160 bar)	1/2"BSPT (F)	1/2"BSPT (M)
L-GS0615	Single Pedestal Grease Reel	25.9	6mm (1/4") x 15m (50 ft)	5800 psi (400 bar)	1/4"BSPT (F)	1/4"BSPT (M)
L-GS1015	Single Pedestal Grease Reel	27.9	10mm (3/8") x 15m (50 ft)	5000 psi (330 bar)	3/8"BSPT (F)	3/8"BSPT (M)



## SINGLE PEDESTAL METAL HOSE REELS

### EXPLODED DRAWING AND PARTS LIST



**Note: Only parts available**  
Swivel seals  
Swivel assemblies

#### Available Spare Parts

Model No	Type	Hose stopper	Swivel
L-AWS1015	Air/Water	L-SK254S	L-SK263S
L-AWS1215	Air/Water	L-SK255S	L-SK264S
L-OS1215	OIL	L-SK256S	L-SK267S
L-GS0615	Grease	L-SK253S	L-SK259S
L-GS1015	Grease	L-SK254S	L-SK260S

Part No.	Description	Q'ty	Part No.	Description	Q'ty
1	Nut	1	19	Lock washer	2
2	Spring washer	1	20	Double bolt	1
3	Washer	4	21	Washer	2
4	Bolt	1	22	O-ring	2
5	Bracket arm	1	23	Swivel shaft	1
6	Base	1	24	Swivel body	1
7	Washer	1	25	Guide plate	1
8	Washer	1	26	Roller axle	2
9	Ratchet	1	27	Roller	2
10	Key	1	28	Roller axle	2
11	Shaft	1	29	Guide sub-plate	1
12	Click pulley	1	30	Roller	2
13	Washer	2	31	Nut	3
14	Drum	1	32	Spring	1
15	Washer	2	33	Washer	1
16	Spring Dog	1	34	Lock washer	1
17	Spring	1	35	Double bolt	4
18	Drum	2	36	Nut	4

## SINGLE PEDESTAL METAL HOSE REELS

### TROUBLE SHOOTING

Problem(s)	Possible Cause	Corrective Action
Fluid path (plumbing and/or Swivel) is leaking or damaged	a) Maximum pressure rating for reel has been exceeded  b) Application is not compatible with plumbing and/or swivel seal materials.	a) Replace or repair damaged components. Consult factory. Check maximum pressure rating of reel.  b) Contact factory to determine chemical compatibility or environmental issues (i.e. temperature rating).
Hose will not fully retract	a) Outlet nozzle, gun or tool is too heavy. b) Spring is fatigued.  c) Field installed hose is too long.	a) Add spring tension. See "Spring Tension Adjustment". b) Add spring tension. See "Spring Tension Adjustment". Replace Spring Canister if required. c) Call local distributor for correct specified hose length.
Hose will not retract at all	Spring has lost all tension or has possibly broken	Reinstall Spring Tension
Reel will not latch	a) Incorrect operation  b) Dog spring or locking cam is broken or worn	a) To latch the reel, pull out the hose and allow it to retract after hearing the first second or third "click". b) Replace dog spring or locking cam.
Fluid leaks from swivel	a) Swivel seals are damaged or worn b) Inlet hose is not flexible	Replace swivel seals. See "Swivel Seal Replacement". Caution: Be sure leak is not at Hose Fitting!
Swivel assembly is not moving freely or locking up	Inlet hose is not flexible causing side force on swivel	Properly tighten inlet hose. Hand tighten fitting, plus 1/2 turn with wrench.



Lube Control Pty Ltd

# INSTRUCTION MANUAL



## SINGLE PEDESTAL METAL HOSE REELS

---

Note: Limited parts available

For Warranty terms and Conditions refer to