

RETRACTA F-SERIES CRADLE REEL



Built with demanding Australian conditions in mind, the heavy duty powder coated steel F-Series Cradle hose reel boasts sealed bearings, stainless steel shafts, solid three sector ratchets, Viton O'rings, quality hoses and corrosion resistant fixings. A narrow face dimension has been maintained to allow multiple reels to be fitted in tight locations such as the mine site service vehicle. Industry common footprints allow for minimum changes to cabinet design. Common threads are used at inlet, outlet and hose fittings and spare parts are available.

High quality hose and fittings

Industrial grade, model specific hydraulic hose suitable for most common applications

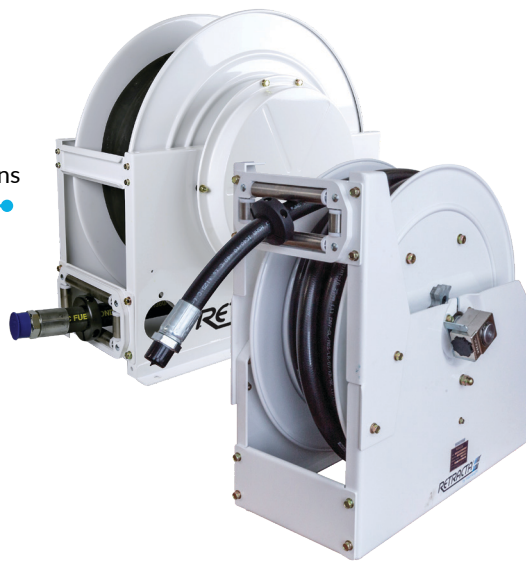
Fully Repairable

Replacement parts are available

Stainless Steel Shaft

for multi fluid use

For multiple applications from oils and grease to water and coolants.

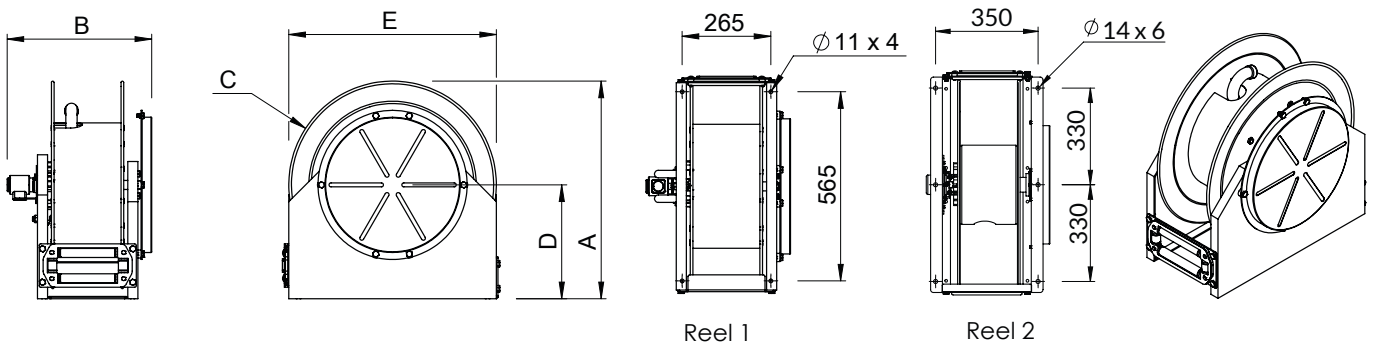


High strength powder coated steel construction

For durability and use in arduous mobile conditions

Sealed Bearings

For longer life against dust and water ingress



- Dimensions are in mm

Reel Dimension	A	B	C	D	E	Min Bend Radius
Reel 1	650	404	Ø620	340	620	180
Reel 2	728	425	Ø715	370	735	130



LUBE
Control

Lube Control Pty Ltd

RETRACTA[®]
by macnaught

RETRACTA F-SERIES CRADLE REEL



Part Number	FCW1920-01	FCW2515-01	FCD2515-01	FCD3815-02	FCM2500-01	FCM3800-02
High Roller Part Number	FRW1920-01	FRW2515-01	FRD2515-01	FRD3815-02	FRM2500-01	FRM3800-02
Application	Air/Water	Air/Water	Oil/Diesel	Oil/Diesel	Air/Water/ Oil/Diesel	Air/Water/ Oil/Diesel
Hose Size (ID)	19mm (3/4")	25mm (1")	25mm (1")	38mm (1 - 1/2")	25mm (1")	38mm (1 - 1/2")
Hose Length	20m	15m	15m	15m	15m capacity	15m capacity
Hose Material	Reinforced PVC		Wire Reinforced Rubber (SAE 100R1)		Bare Reel - hose excluded	
Working Pressure	250 psi	250 psi	1000 psi	500 psi	1450 psi	500 psi
Max Temperature	60° C	60° C	100° C	100° C	100° C	100° C
Reel Inlet	3/4" BSP (F)	1" BSP (F)	1" BSP (F)	1 - 1/2" NPT (F)	1" BSP(F)	1 - 1/2" NPT (F)
Hose Outlet	3/4" BSP (M)	1" BSP(M)	1" BSP(M)	1 - 1/2" NPT (M)	1" BSP(F)	1 - 1/2" NPT (F)
Reel Dimension	Reel 1	Reel 1	Reel 1	Reel 2	Reel 1	Reel 2