

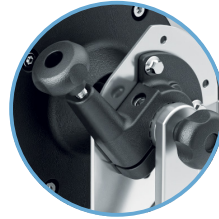
Y SERIES MANUAL HAND CRANK HOSE REELS- 25MM



The new Retracta Y Series hose reel range has been introduced to meet the demands of extreme environments where wash down hose reels are used. Designed with safety features from the ground up, Y Series reels are made from high quality materials providing the ultimate durability.

FEATURES AND BENEFITS

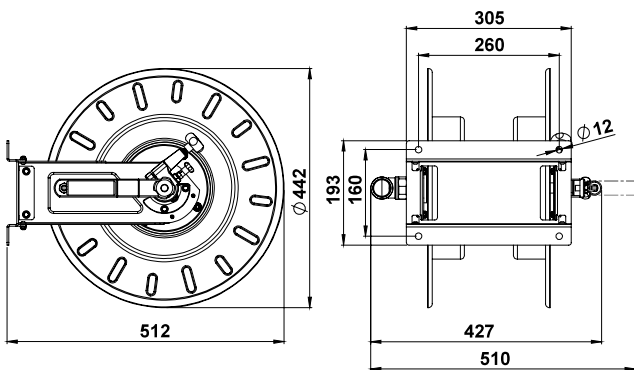
- Manually operated safety system to prevent the handle rotating during hose unwinding
- Foldable handle to prevent unwanted catching
- Adjustable clutch allows the rotation speed of the drum to be slowed
- Stainless steel swivel with high quality seals for the ultimate durability



TECHNICAL SPECIFICATION	
Part Number	YSYA2520N-DL
Fluid Type	Air / Water 100°C / Diesel
Hose Diameter	Not Included
Hose Length Capacity	Maximum 20m
Feed Hose Length	Not Included
Swivel Inlet	1" BSPT (F)
Swivel Outlet	25mm Barb (M)
Maximum Working Pressure	290 psi
Maximum Temperature	100°C
Reel Body Material	Stainless Steel (304 Grade)
Weight	11kg



YSYA2520N-DL



ACCESSORIES

REEL LOCKING PIN
Part Number : RA-LP-YS

ROLLER HOSE GUIDE
Part Number : RA-RG-YSYA

PACKAGE INCLUDES

Retracta YSYA2520N-DL Hose Reel (does not include hose)