

INSTRUCTION MANUAL

HEAVY DUTY TWIN PEDESTAL METAL HOSE REELS

LH SERIES



MODEL NUMBERS
L-DTP2515
L-AWTP1920
L-OTP1920

INSTRUCTION MANUAL

HEAVY DUTY TWIN PEDESTAL METAL HOSE REELS



WARNING

Read carefully and understand all INSTRUCTIONS before operating. Failure to follow the safety rules and other basic safety precautions may result in serious personal injury. Save these instructions in a safe place and on hand so that they can be read when required. Keep these instructions to assist in future servicing.

GENERAL SAFETY



WARNING

The warnings, cautions, and instructions discussed in this instruction manual cannot cover all possible conditions or situations that could occur. It must be understood by the operator that common sense and caution are factors that cannot be built into this product, but must be supplied by the operator.

1. Keep the work area clean and dry.
2. Keep children away from work area.
3. Only use this equipment for what it has been designed for. Do not modify this equipment in any way.
4. Check for damaged or worn parts before using this product. Replace any damaged or worn parts immediately.
5. **Do Not** overreach and keep proper footing and balance at all times.
6. **Do Not** use the equipment when tired or under the influence of drugs, alcohol, or medication.

SAFETY PRECAUTIONS

1. Use proper eye protection when assembling and using the hose reel.
2. Keep children away from the work area.
3. Personal injury and/or equipment damage may result if proper safety precautions are not observed.
4. Ensure that reel is properly installed before connecting input and output hoses.
5. Bleed fluid/gas pressure from system before servicing reel.
6. Before connecting reel to supply line ensure that pressure does not exceed maximum working pressure rating of reel.
7. Remember, even low pressure is very dangerous and can cause personal injury or death.
8. If a leak occurs in the hose or reel, remove system pressure immediately.
9. Ensure that reel, hose, and equipment being service are properly grounded.
10. If reel ceases to unwind or rewind, remove system pressure immediately.
11. Do not pull or jerk on hose.



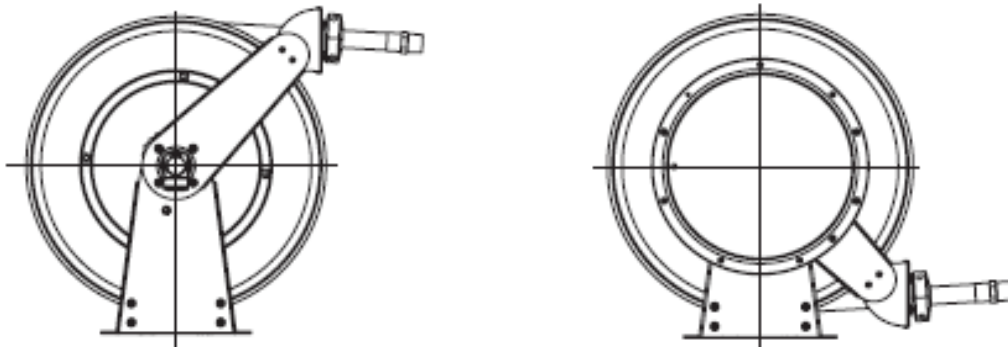
WARNING

Exposure of skin directly to pressurized air, or fluids could result in severe bodily injury.

HEAVY DUTY TWIN PEDESTAL METAL HOSE REELS

INSTALLATION

1. Prior to mounting the hose reel, ensure that the supply line pressure does not exceed the maximum working pressure of the hose reel.
2. Unpack and inspect reel for damage. Turn by hand to check for smooth operation.
3. Check for completeness.
4. For wall mounting: Install reel at most 1.5meter above the floor.
5. You will need to purchase appropriate hardware for mounting your new reel.
6. The reel base has four 10.5mm drilled holes for mounting on a suitable flat surface.
7. Using the four holes in the base, mount the reel in the desired location. Be sure to use appropriate hardware and tighten securely.
8. Apply Teflon tape or pipe sealant to supply line threads, attach to reel inlet and tighten it. The other end of incoming line can now be connected to desired supply source.
9. Apply Teflon tape or pipe sealant to outlet fitting on reel hose, then attach to desired tool, or nozzle. Check connection for leakage, also check hose reel for correct operation. See Operation section.
10. If hose stopper adjustment is required, pull hose from reel and allow to latch at desired length. Loosen stopper bolts, slide stopper to a position close to the hose guide. Tighten stopper bolts and unlatch the reel.



WARNING

Use extreme caution as the reel is under tension. Avoid releasing latch mechanism.

OPERATION

1. Check reel for correct operation by slowly pulling out hose. A “click” noise will be heard every half revolution of the drum.
2. To latch the reel, pull out the hose and allow it to retract after hearing the first second or third “click”
3. To unlatch, slowly pull out the hose until the “click” noise stops, then let cable retract until the cable stopper rests against the cable guide.
4. If necessary, adjust spring tension on reel by adding or removing wraps of hose from spool, one wraps at a time until desired tension is obtained. Add wraps to increase tension Remove wraps to decrease tension.

CAUTION

HEAVY DUTY TWIN PEDESTAL METAL HOSE REELS

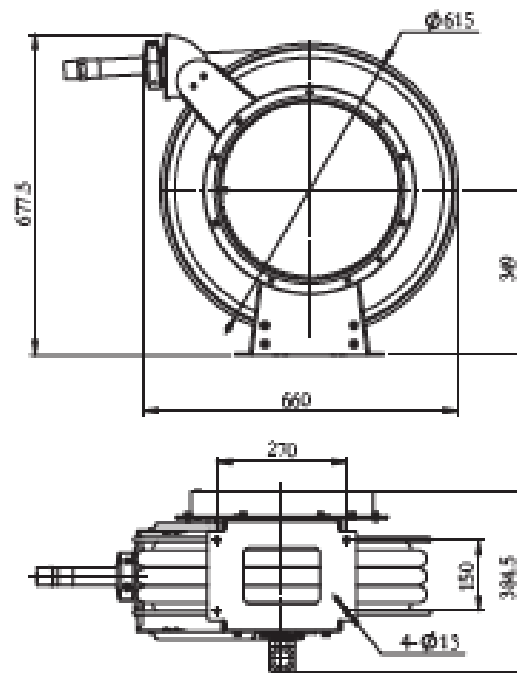
MAINTENANCE

1. Make sure the hose is in proper working order.
2. Clean the hose with a cloth dipped in warm water to remove dirt or deposits and ensure correct rewinding.
3. Do not use detergents or solvents which could prove incompatible with cable-winder materials.
4. Dismantling of the unit by unskilled personal could prove hazardous; the risk involved mainly concern the preloaded springs.

SERVICE INSTRUCTIONS

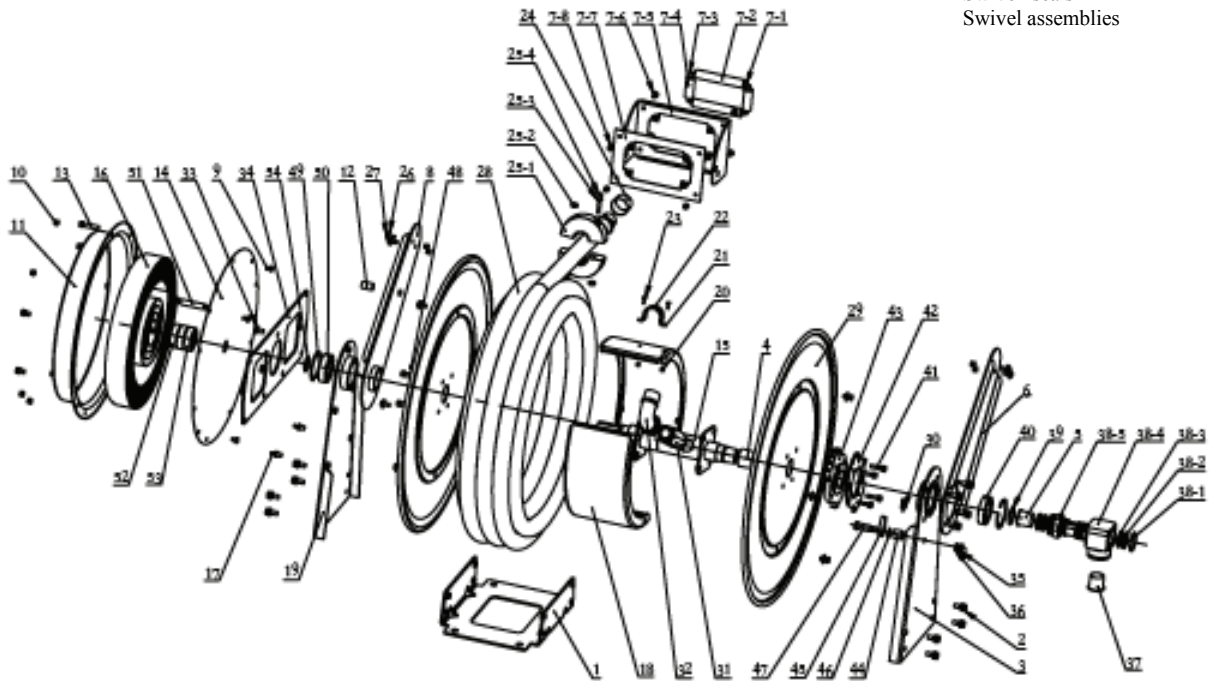


WARNING: Before performing any service, always disconnect and lock out compressed air or fluid, and remove all spring tension.



HEAVY DUTY TWIN PEDESTAL METAL HOSE REELS

Exploded drawing and Parts list



Note: Only parts available
Swivel seals
Swivel assemblies

Available Spare Parts

Model No	Type	Hose stopper	Swivel
L-OTP1920	Oil	L-SK252S	L-SK258S
L-DTP2515	Diesel	L-SK250S	L-SK257S
L-AWTP1920	Air/Water	L-SK251S	L-SK258S

Part No.	Description	Q'ty	Part No.	Description	Q'ty	Part No.	Description	Q'ty
1	Base Assembly	1	17	Bolt P3	2	37	Protection Cover	1
2	Screw	12	18	Drum Support Plate	2	38-1	Retainer	1
3	Bracket 2 Assembly	1	19	Bracket 1 Assembly	1	38-2	Retainer	2
4	Protection Cover	1	20	Nut	2	38-3	O-Ring	2
5	Protection Cover	1	21	Clamp	1	38-4	Swivel Body	1
6	Support Plate	1	22	Clamp Cover	1	38-5	Swivel Spool	1
7-1	Roller Axle	2	23	Screw	2	39	Retainer	1
7-2	Roller	2	24	Protection Cover	1	40	Bearing	1
7-3	Roller Axle	2	25-1	Bumper Block	2	41	Screw	4
7-4	Roller	2	25-2	Nut	2	42	The Ratchet Plate	1
7-5	Guide Support Plate	1	25-3	Washer	2	43	The Ratchet Plate 2	1
7-6	Screw	4	25-4	Bolt	2	44	Washer	1
7-7	Guide Sub-plate	1	26	washer	12	45	Ratchet Paw	1
7-8	Nut	4	27	Bolt	12	46	Washer	2
8	Support Plate Assembly	1	28	Hose Assembly	1	47	Bolt	1
9	Screw	3	29	Drum	2	48	Screw	8
10	Nut	17	30	Ratchet Spring	1	49	Retainer	2
11	Spring Drum	1	31	Fitting	1	50	Bearing	1
12	Hub Bearing	1	32	Angle fitting assembly	1	51	The spring pin	1
13	Screw	1	33	Screw	3	52	Spring Core	1
14	Spring Drum Cover	1	34	Spring drum Support Plate	1	53	Spring Core	2
15	Main shaft Assembly	1	35	Nut	1	54	Retainer	1
16	Spring	1	36	Washer	1			

HEAVY DUTY TWIN PEDESTAL METAL HOSE REELS

TROUBLE SHOOTING

Problem(s)	Possible Cause	Corrective Action
Fluid path (plumbing and/or Swivel) is leaking or damaged	<ul style="list-style-type: none"> a) Maximum pressure rating for reel has been exceeded b) Application is not compatible with plumbing and/or swivel seal materials. 	<ul style="list-style-type: none"> a) Replace or repair damaged components. Consult factory. Check maximum pressure rating of reel. b) Contact factory to determine chemical compatibility or environmental issues (i.e. temperature rating).
Hose will not fully retract	<ul style="list-style-type: none"> a) Outlet nozzle, gun or tool is too heavy. b) Spring is fatigued. c) Field installed hose is too long. 	<ul style="list-style-type: none"> a) Add spring tension. See "Spring Tension Adjustment". b) Add spring tension. See "Spring Tension Adjustment". Replace Spring Canister if required. c) Call local distributor for correct specified hose length.
Hose will not retract at all	Spring has lost all tension or has possibly broken	Reinstall Spring Tension
Reel will not latch	<ul style="list-style-type: none"> a) Incorrect operation b) Dog spring or locking cam is broken or worn 	<ul style="list-style-type: none"> a) To latch the reel, pull out the hose and allow it to retract after hearing the first second or third "click". b) Replace dog spring or locking cam.
Fluid leaks from swivel	<ul style="list-style-type: none"> a) Swivel seals are damaged or worn b) Inlet hose is not flexible 	Replace swivel seals. See "Swivel Seal Replacement". Caution: Be sure leak is not at Hose Fitting!
Swivel assembly is not moving freely or locking up	Inlet hose is not flexible causing side force on swivel	Properly tighten inlet hose. Hand tighten fitting, plus 1/2 turn with wrench.

INSTRUCTION MANUAL

HEAVY DUTY TWIN PEDESTAL METAL HOSE REELS

SPECIFICATIONS

Part number	Description	Weight (Kg)	Hose	Pressure	Inlet	Outlet
L-OTP1920	Heavy Duty Oil Reel	55.3	19mm (3/4") x 20m (65 ft)	1500 psi (105 bar)	1/2"BSPT (F)	1/2"BSPT (M)
L-DTP2515	Heavy Duty Diesel Reel	53.1	25mm (1") x 15m (50 ft)	290 psi (20 bar)	1"BSPT (F)	1"BSPT (M)
L-AWTP1920	Heavy Duty Air/Water Reel	55.8	19mm (3/4") x 20m (65 ft)	290 psi (20 bar)	3/4"BSPT (F)	3/4"BSPT (M)



Lube Control Pty Ltd



INSTRUCTION MANUAL

HEAVY DUTY TWIN PEDESTAL METAL HOSE REELS

Note: Limited parts available

For Warranty terms and Conditions refer to