

INSTRUCTION MANUAL

ENCLOSED METAL HOSE REELS

L- EL SERIES



MODEL NUMBERS
L-ELAW1015 - Air/Water
L-ELAW1210 - Air/Water
L-ELO1210 - Oil
L-ELG0615 - Grease

ENCLOSED METAL HOSE REELS



WARNING

Read carefully and understand all INSTRUCTIONS before operating. Failure to follow the safety rules and other basic safety precautions may result in serious personal injury. Save these instructions in a safe place and on hand so that they can be read when required. Keep these instructions to assist in future servicing.

GENERAL SAFETY



WARNING

The warnings, cautions, and instructions discussed in this instruction manual cannot cover all possible conditions or situations that could occur. It must be understood by the operator that common sense and caution are factors that cannot be built into this product, but must be supplied by the operator.

1. Keep the work area clean and dry.
2. Keep children away from work area.
3. Only use this equipment for what it has been designed for. Do not modify this equipment in any way.
4. Check for damaged or worn parts before using this product. Replace any damaged or worn parts immediately.
5. **Do Not** overreach and keep proper footing and balance at all times.
6. **Do Not** use the equipment when tired or under the influence of drugs, alcohol, or medication.

SAFETY PRECAUTIONS

1. Use proper eye protection when assembling and using the hose reel.
2. Keep children away from the work area.
3. Personal injury and/or equipment damage may result if proper safety precautions are not observed.
4. Ensure that reel is properly installed before connecting input and output hoses.
5. Bleed fluid/gas pressure from system before servicing reel.
6. Before connecting reel to supply line ensure that pressure does not exceed maximum working pressure rating of reel.
7. Remember, even low pressure is very dangerous and can cause personal injury or death.
8. If a leak occurs in the hose or reel, remove system pressure immediately.
9. Ensure that reel, hose, and equipment being service are properly grounded.
10. If reel ceases to unwind or rewind, remove system pressure immediately.
11. Do not pull or jerk on hose.



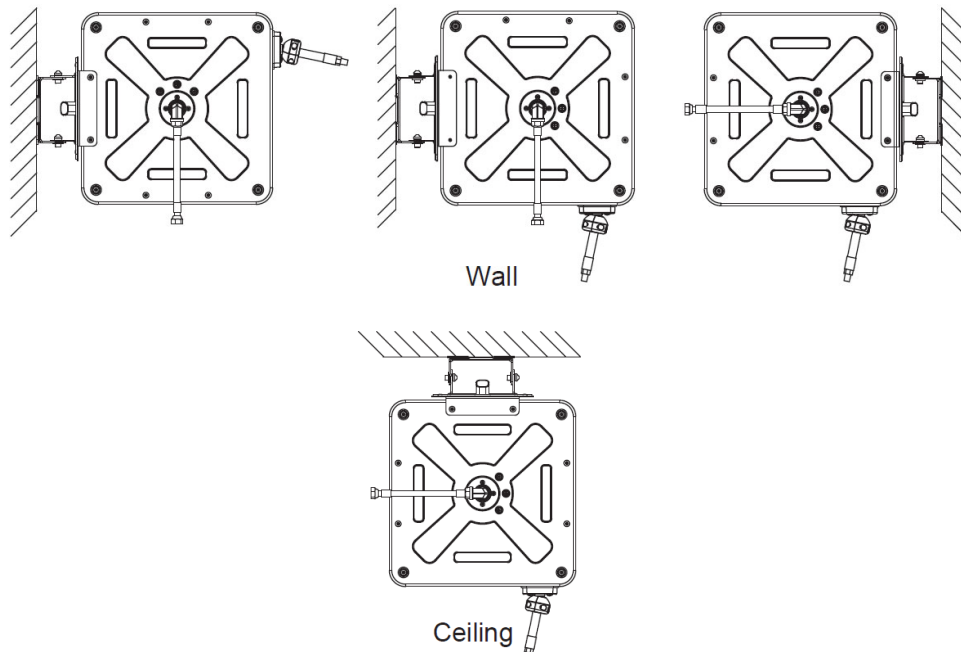
WARNING

Exposure of skin directly to pressurized air, or fluids could result in severe bodily injury.

ENCLOSED METAL HOSE REELS

INSTALLATION

1. Prior to mounting the hose reel, ensure that the supply line pressure does not exceed the maximum working pressure of the hose reel.
2. Unpack and inspect reel for damage and completeness. Turn by hand to check for smooth operation.
3. You will need to purchase appropriate hardware for securing your new reel to the desired location.
4. The reel base has four 9.0mm drilled holes for mounting on a suitable flat surface.
5. Using the four holes in the bracket, mount the reel in the desired location and tighten securely..
6. Apply Teflon tape or pipe sealant to supply line threads, attach to reel inlet and tighten it. The remaining end of incoming line can now be connected to the supply source.
7. Apply Teflon tape or pipe sealant to outlet fitting on reel hose, then attach to desired tool, or nozzle.
8. If hose stopper adjustment is required, pull hose from reel and allow to latch at desired length. Loosen stopper bolts, and slide stopper to the desired position and tighten, then unlatch the reel.
10. Check all connections for leakage, also reel for correct operation.



OPERATION

1. Check reel for correct operation by slowly pulling out hose. A "click" noise will be heard every half revolution of the drum.
2. To latch the reel, pull out the hose and allow it to retract after hearing the first second or third "click".
3. To unlatch, slowly pull out the hose until the "click" noise stops, then let cable retract until the cable stopper rests against the cable guide.
4. If necessary, adjust spring tension on reel by adding or removing laps of spring fastener, one laps at a time until desired tension is obtained. Add laps to increase tension. Remove laps to decrease tension.

Note: To avoid damage to the reel, always hold on to the reel while it is.

ENCLOSED METAL HOSE REELS

MAINTENANCE

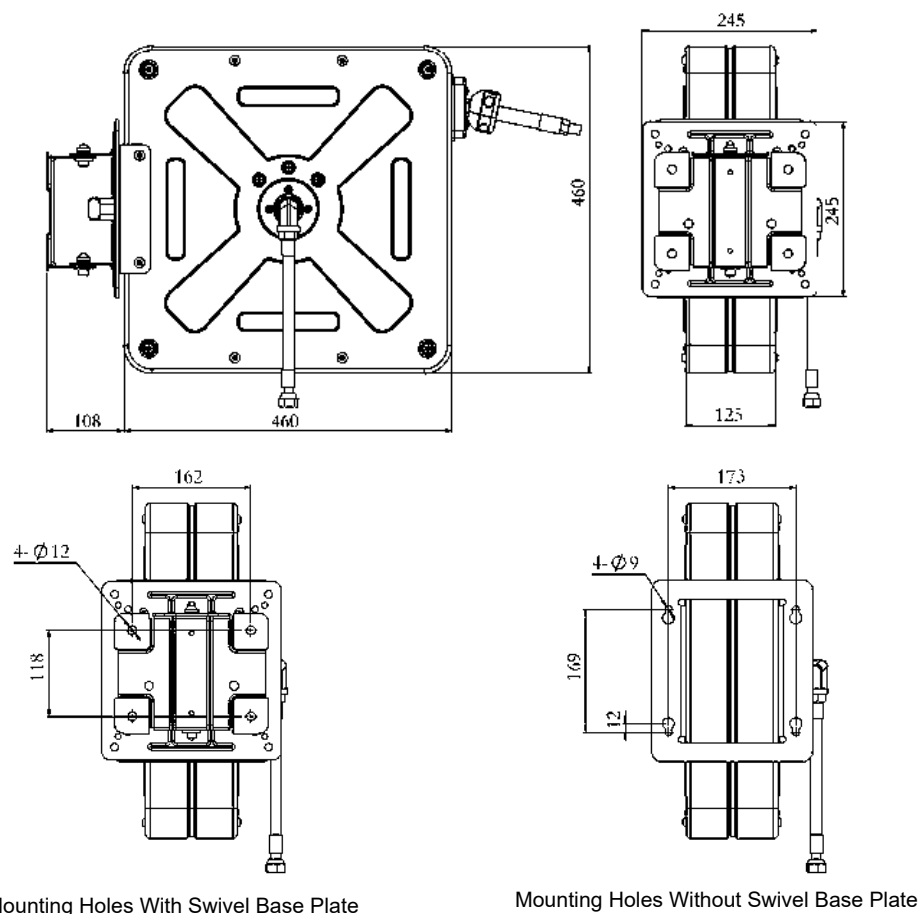
SERVICE INSTRUCTIONS



WARNING: Before performing any service, always disconnect and lock out compressed air or fluid, and remove all spring tension.

1. Make sure the hose has no damage and the reel is in proper working order.
2. Clean the hose with a cloth dipped in warm water to remove dirt or deposits and also ensure the correct rewinding of hose.
3. Do not use detergents or solvents which could prove incompatible with hose or hose reel materials.
4. Dismantling of the unit by unskilled personal could prove hazardous; the risk involved mainly concern the preloaded springs.

WARNING: Your risk from these exposures varies, depending on how often you do this type of work. To reduce your exposure to these chemicals: work in a well ventilated area, and work with approved safety equipment, such as those dust masks that are specially designed to filter out microscopic particles.

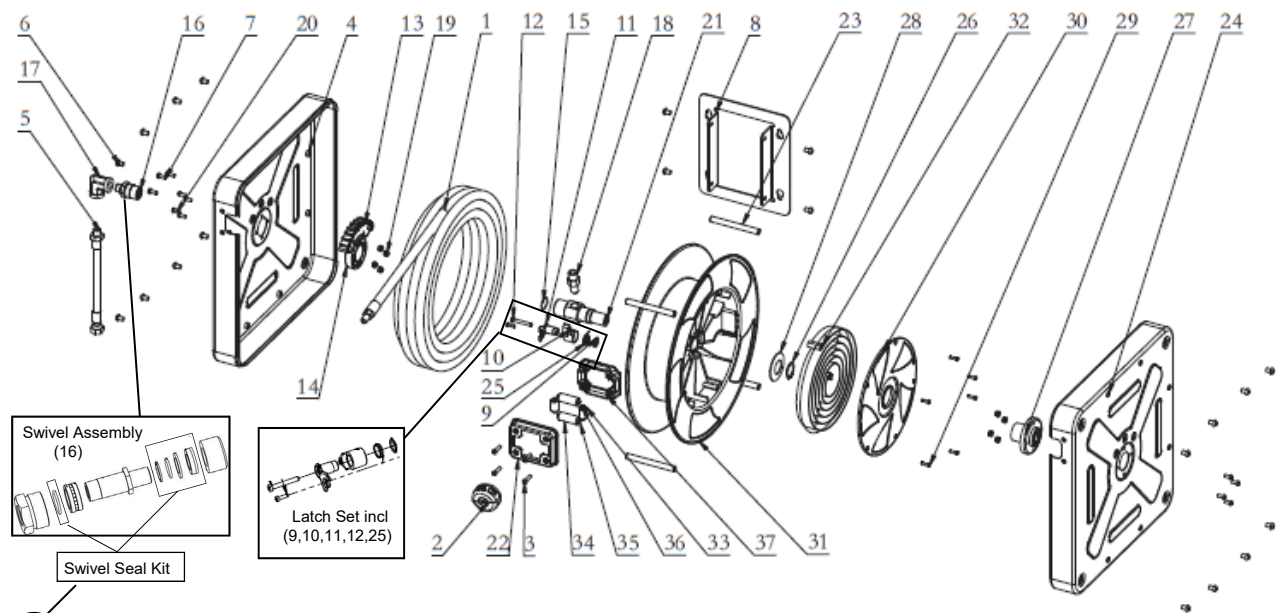


Mounting Holes With Swivel Base Plate

Mounting Holes Without Swivel Base Plate

ENCLOSED METAL HOSE REELS

EXPLODED DIAGRAM



A

Part No.	Description	Q'ty	Part No.	Description	Q'ty
1	Hose Assembly	1	20	Bolt	8
2	Ball Stop Assembly	1	21	Main Shaft	1
3	Bolt	4	22	Roller Cover	1
4	Right shell Assembly	1	23	Connecting Rod	4
5	Lead Hose Assembly	1	24	Left shell Assembly	1
6	Bolt	20	25	Torsional Spring	1
7	Bolt	3	26	Retaining Ring	1
8	Base	1	27	Spring Fastener	1
9	Catch	1	28	Dish Spring	1
10	Ratchet	1	29	Bolt	7
11	Ratchet Jaw	1	30	Cover Plate	1
12	Bolt	1	31	Drum	1
13	Ratchet Plate	1	32	Sping	1
14	Shaft Sleeve	1	33	Short Idler Pulley	2
15	O Ring	1	34	Long Idler Pulley	2
16	Valve Assembly	1	35	Long Guide Pillar	2
17	Bent Sub	1	36	Short Guide Pillar	2
18	Straight Adapter	1	37	Roller Bracket	1
19	Nut	8			

Available Spare Parts

		L-ELAW1015	L-ELAW1210	L-ELO1210	L-ELG0615
	Item no	Part No	Part No	Part No	Part No
Hose Stopper	2	L-ERHS1	L-ERHS2	L-ERHS2	L-ERHS3
Hose Assembly	1	L-ERHA1	L-ERHA6	L-ERHA7	L-ERHA4
Swivel assembly	16	L-ERSA5	L-ERSA6	L-ERSA6	L-ERSA7
Swivel Seal Set	A	L-ERSS5	L-ERSS6	L-ERSS6	L-ERSS7
Latch Assembly	9,10,11,12,25	L-ERLA2	L-ERLA2	L-ERLA2	L-ERLA2



Lube Control Pty Ltd



INSTRUCTION MANUAL

ENCLOSED METAL HOSE REELS

TECHNICAL SPECIFICATIONS

	Max Pressure	Working Temp	Material	Hose I/D	Length
L-ELAW1015	300psi/20bar	- 20 deg C - + 60 deg C	NBR Rubber	3/8" (10mm)	15m (50ft)
L-ELAW1210	300psi/20bar	- 20 deg C - + 60 deg C	NBR Rubber	1/2" (12.5mm)	10m (30ft)
L-ELO1210	2320psi/160bar	- 20 deg C - + 100 deg C	SAE 100R1 Wire Braid	1/2" (12.5mm)	10m (30ft)
L-ELG0615	5800psi/400bar	- 20 deg C - + 100 deg C	SAE 100R2 Wire Braid	1/4" (6.3mm)	15m (50ft)

lubemate by macnaught / instruction manual



Lube Control Pty Ltd



INSTRUCTION MANUAL

ENCLOSED METAL HOSE REELS

NOTES:



Lube Control Pty Ltd



INSTRUCTION MANUAL

ENCLOSED METAL HOSE REELS

Note: Limited parts available

For Warranty terms and Conditions refer to