

# INSTRUCTION MANUAL

---

## ENCLOSED METAL HOSE REELS

---

### L- EK SERIES



MODEL NUMBERS
L-EKAW1015 - Air/Water
L-EKAW1210 - Air/Water
L-EKO1210 - Oil
L-EKG0615 - Grease
L-EKG0915 - Grease

## ENCLOSED METAL HOSE REELS

### WARNING

Read carefully and understand all INSTRUCTIONS before operating. Failure to follow the safety rules and other basic safety precautions may result in serious personal injury. Save these instructions in a safe place and on hand so that they can be read when required. Keep these instructions to assist in future servicing.

### GENERAL SAFETY

#### WARNING

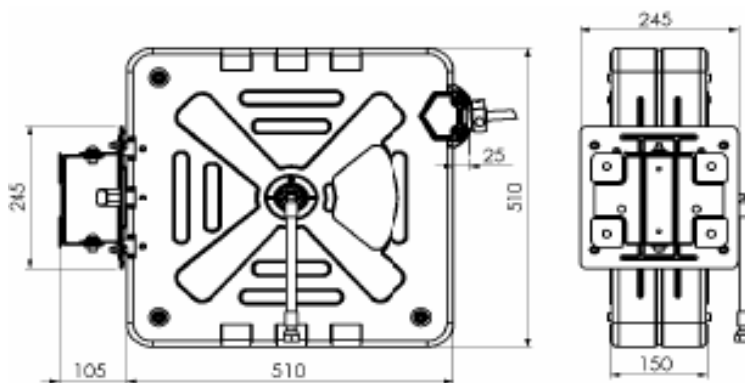
The warnings, cautions, and instructions discussed in this instruction manual cannot cover all possible conditions or situations that could occur. It must be understood by the operator that common sense and caution are factors that cannot be built into this product, but must be supplied by the operator.

### SAFETY PRECAUTIONS

1. Use proper eye protection when assembling and using the hose reel.
2. Keep children away from the work area.
3. Personal injury and/or equipment damage may result if proper safety precautions are not observed.
4. Ensure that reel is properly installed before connecting input and output hoses.
5. Bleed fluid/gas pressure from system before servicing reel.
6. Before connecting reel to supply line ensure that pressure does not exceed maximum working pressure rating of reel.
7. Remember, even low pressure is very dangerous and can cause personal injury or death.
8. If a leak occurs in the hose or reel, remove system pressure immediately.
9. Ensure that reel, hose, and equipment being service are properly grounded.
10. If reel ceases to unwind or rewind, remove system pressure immediately.
11. Do not pull or jerk on hose.

#### WARNING

Exposure of skin directly to pressurized air, or fluids could result in severe bodily injury.

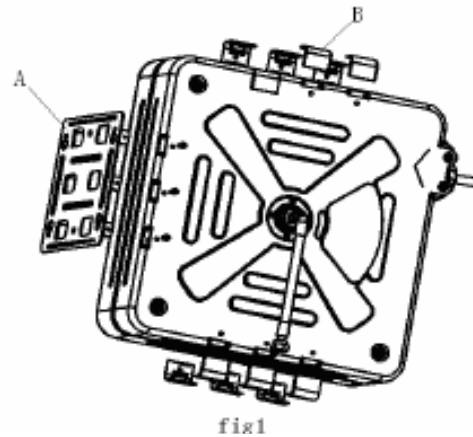


## ENCLOSED METAL HOSE REELS

### INSTALLATION

#### Fitting bracket (fig1)

1. Fix bracket A to the house reel
2. Attach the 6 screws, fixing them in sequence.
3. Apply the plastic plugs B in the free holes.

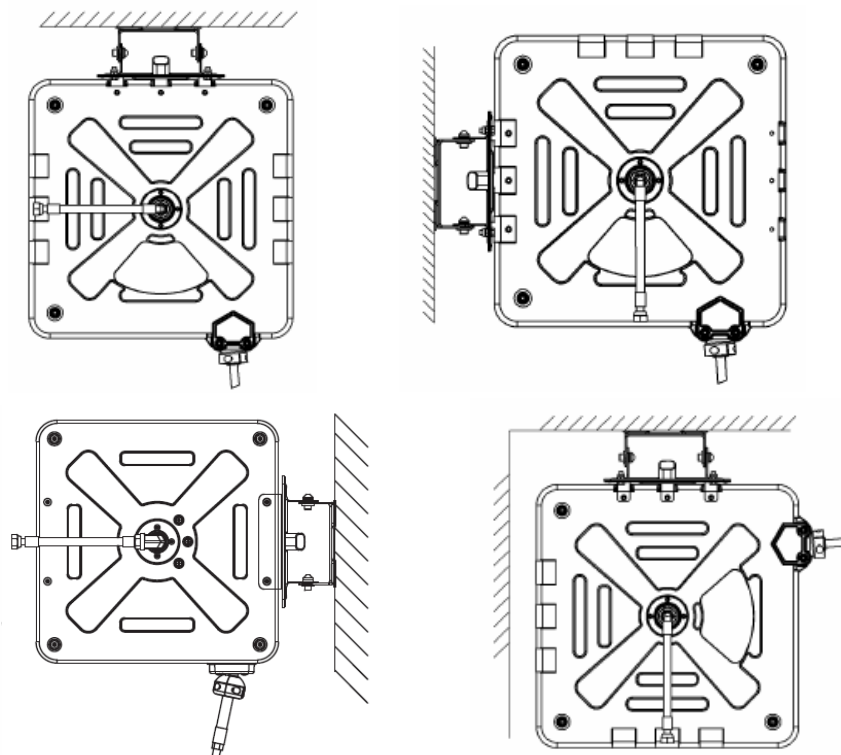


#### HOSE REEL INSTALLATION

1. Prior to mounting the hose reel, ensure that the supply line pressure does not exceed the maximum working pressure of the hose reel.
2. Unpack and inspect reel for damage and completeness. Turn by hand to check for smooth operation.
3. You will need to purchase appropriate hardware for securing your new reel to the desired location.
4. Position reel on the floor, wall or ceiling and secure into place using the appropriate hardware.
5. If necessary, adjust spring tension on reel by adding or removing wraps of hose from spool, one wrap at a time, until desired tension is obtained. Add wraps to increase or remove wraps to decrease tension.
6. Apply Teflon tape or pipe sealant to all threaded connections.

 **Note: Always hold on to the hose while it is rewinding.**

#### MOUNTING POSITIONS



---

## ENCLOSED METAL HOSE REELS

---

### OPERATION

1. Check reel for correct operation by slowly pulling out hose. A "click" noise will be heard every half revolution of the drum.
2. To latch the reel, pull out the hose and allow it to retract after hearing the first second or third "click".
3. To unlatch, slowly pull out the hose until the "click" noise stops, then let cable retract until the hose stopper rests against the hose guide.
4. If necessary, adjust spring tension on reel by adding or removing laps of spring fastener, one laps at a time until desired tension is obtained. Add laps to increase tension. Remove laps to decrease tension.

**Note: To avoid damage to the reel, always hold on to the reel while it is.**

### MAINTENANCE

### SERVICE INSTRUCTIONS



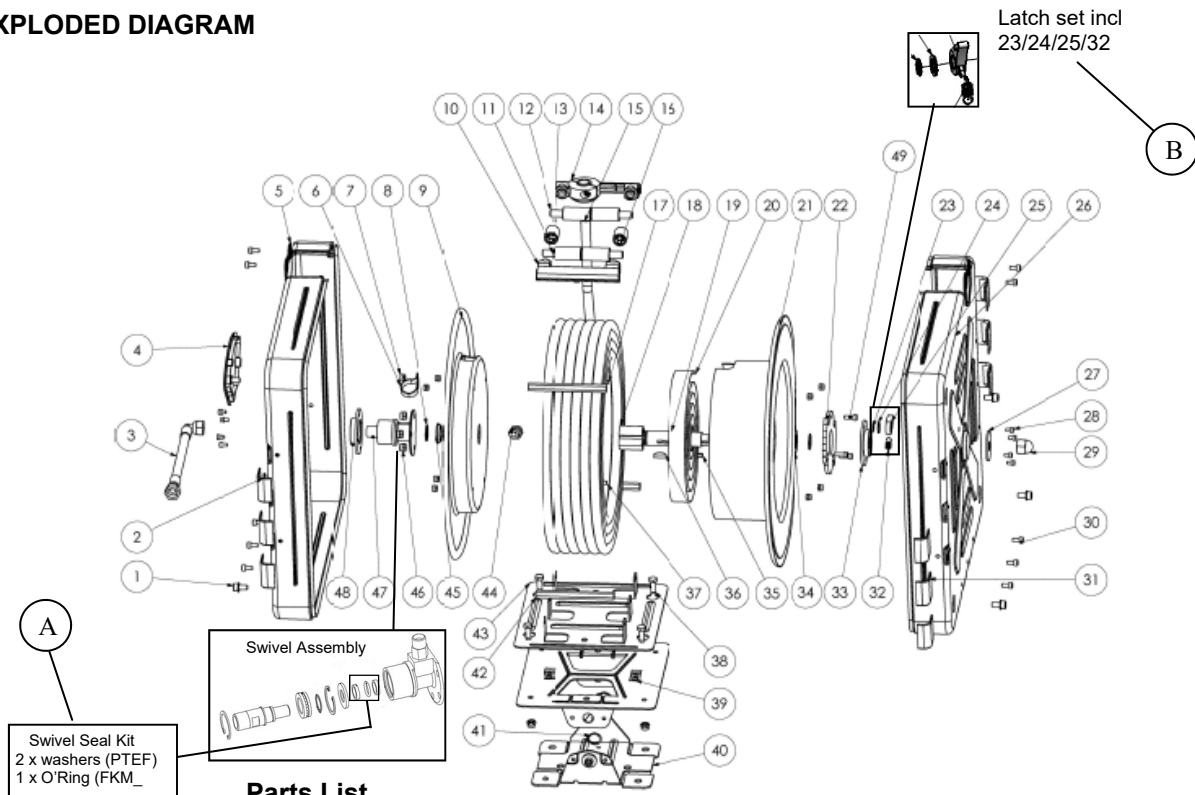
**WARNING:** Before performing any service, always disconnect and lock out compressed air or fluid, and remove all spring tension.

1. Make sure the hose has no damage and the reel is in proper working order.
2. Clean the hose with a cloth dipped in warm water to remove dirt or deposits and also ensure the correct rewinding of hose.
3. Do not use detergents or solvents which could prove incompatible with hose or hose reel materials.
4. Dismantling of the unit by unskilled personal could prove hazardous; the risk involved mainly concern the preloaded springs.

**WARNING:** Your risk from these exposures varies, depending on how often you do this type of work. To reduce your exposure to these chemicals: work in a well ventilated area, and work with approved safety equipment, such as those dust masks that are specially designed to filter out microscopic particles.

## ENCLOSED METAL HOSE REELS

### EXPLODED DIAGRAM



### Parts List

Part No.	Description	Quantity	Part No.	Description	Quantity
1	Screw	6	25	Ratchet	1
2	Washer	6	26	Right Cover	1
3	Lead-in Hose Assy	1	27	Washer	1
4	Small Cover	1	28	Screw	8
5	Left Cover	1	29	Nut	1
6	Clamp	1	30	Screw	13
7	Nut	9	31	Protecting Cover	12
8	Retainer	2	32	Ratchet Spring	1
9	Left Drum	1	33	Bushing	1
10	Guide plate	2	34	Washer	1
11	Long Roller	4	35	Stator	1
12	Long Roller Axle	2	36	Half-circle Stator	1
13	Short Roller	2	37	Bolt	3
14	Hose Stop Assy	1	38	Bolt	4
15	Long Hose Assy	1	39	Swivel Bracket	1
16	Short Roller Axle	2	40	Settled Bracket	1
17	Bolt	1	41	Retainer	2
18	Spring Core	1	42	Pin	3
19	Main Axle	1	43	Base	1
20	Main Spring	1	44	Tube Fitting	1
21	Right Drum	1	45	Bushing	1
22	Lock Ring	1	46	Nut	7
23	Retainer	1	47	Swivel Assy	1
24	Washer	1	48	Bushing	1

### Available Spare Parts

		L-EKAW1015	L-EKAW1215	L-EKO1215	L-EKG0615	L-EKG1015
	Item no	Part No	Part No	Part No	Part No	Part no
Hose Stopper	14	L-ERHS1	L-ERHS2	L-ERHS2	L-ERHS3	L-ERHS4
Hose Assembly	15	L-ERHA1	L-ERHA2	L-ERHA3	L-ERHA4	L-ERHA5
Swivel assembly	47	L-ERSA1	L-ERSA2	L-ERSA2	L-ERSA3	L-ERSA4
Swivel Seal Set	A	L-ERSS1	L-ERSS2	L-ERSS2	L-ERSS3	L-ERSS4
Latch Assembly	B	L-ERLA1	L-ERLA1	L-ERLA1	L-ERLA1	L-ERLA1

## ENCLOSED METAL HOSE REELS

### TECHNICAL SPECIFICATIONS

	Max Pressure	Working Temp	Material	Hose I/D	Length
<b>L-EKAW1015</b>	300psi/20bar	- 20 deg C - + 80 deg C	NBR Rubber	3/8" (10mm)	15m (50ft)
<b>L-EKAW1215</b>	300psi/20bar	- 20 deg C - + 80 deg C	NBR Rubber	1/2" (12.5mm)	15m (50ft)
<b>L-EKO1215</b>	2320psi/160bar	- 40 deg C - + 100 deg C	SAE 100R1 Wire Braid	1/2" (12.5mm)	15m (50ft)
<b>L-EKG0615</b>	5800psi/400bar	- 40 deg C - + 100 deg C	SAE 100R2 Wire Braid	1/4" (6.3mm)	15m (50ft)
<b>L-EKG1015</b>	4785psi/330bar	- 40 deg C - + 100 deg C	SAE 100R2 Wire Braid	3/8" (9.5mm)	15m (50ft)



Lube Control Pty Ltd



INSTRUCTION MANUAL

---

## ENCLOSED METAL HOSE REELS

---

NOTES:



Lube Control Pty Ltd



INSTRUCTION MANUAL

---

## ENCLOSED METAL HOSE REELS

---

Note: Limited parts available

For Warranty terms and Conditions refer to