

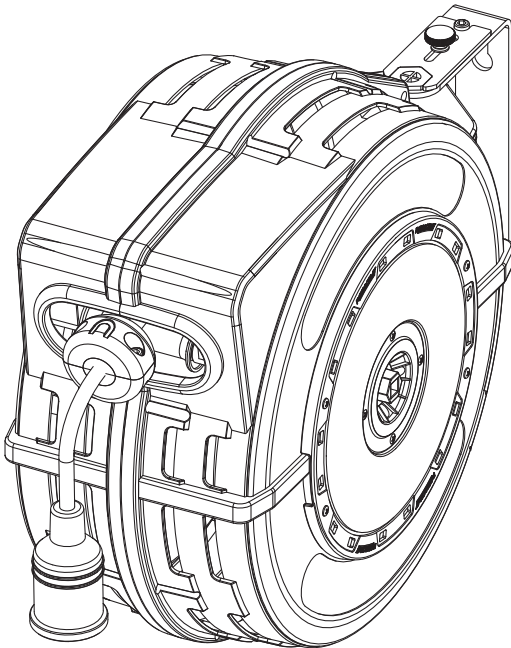


LUBE
Control

Lube Control Pty Ltd



Electric Cable Reel Instruction Manual



WARNING:

Read carefully and understand all **INSTRUCTIONS** before operating. Failure to follow the safety rules and other basic safety precautions may result in serious personal injury. Save these instructions in a safe place and on hand so that they can be read when required.

REV 07/27/23



LUBE
Control

Lube Control Pty Ltd



GENERAL SAFETY REGULATIONS



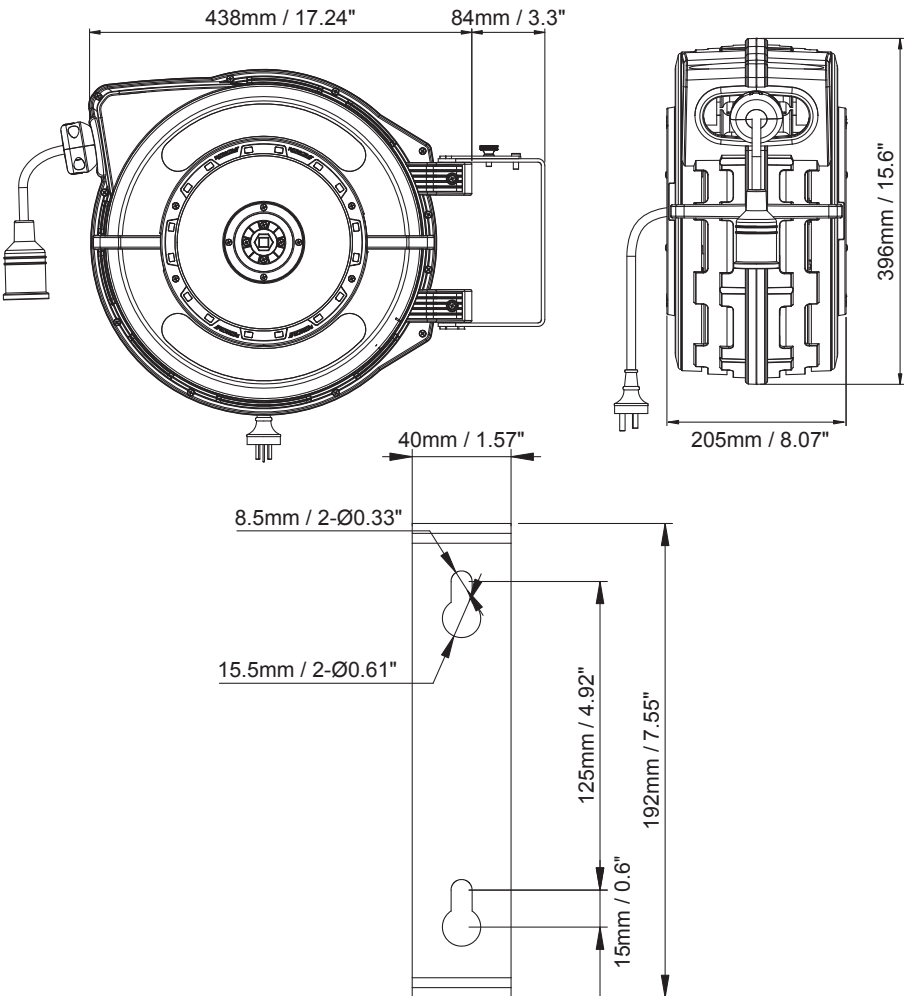
WARNING: The warnings, cautions, and instructions discussed in this instruction manual cannot cover all possible conditions or situations that could occur. It must be understood by the operator that common sense and caution are factors that cannot be built into this product, but must be supplied by the operator.

The following general warnings should be observed when installing, operating or maintaining cable reel equipment.

1. Keep the work area clean and dry. Damp or wet work areas can result in injury.
2. Keep children away from work area. Do not allow children to handle this product.
3. The operator should wear appropriate protection equipment to protect against personal injury.
4. Do not let go of the cable when rewinding.
5. Do not attempt to repair damaged cable, in the case of damaged cable the reel should be disposed of immediately.
6. Do not exceed the maximum voltage / wattage / amperage specified for the reel. (Refer to the Technical Details)
7. Only use compatible plugs with this reel. (Refer to Technical Details)
8. Use the right tool for the job. Do not attempt to force small equipment to do the work of larger industrial equipment. There are certain applications for which this equipment was designed. It will do the job better and more safely at the capacity for which it was intended. Do not modify this equipment, and do not use this equipment for a purpose for which it was not intended.
9. Check for damaged parts. Before using this product, carefully check that it will operate properly and perform its intended function. Check for damaged parts and any other conditions that may affect the operation of this product. Do not use damaged equipment.
10. Before attempting any maintenance disconnect and turn off the power supply.
11. Do not overreach. Keep proper footing and balance at all times to prevent tripping, falling, back injury, etc.
12. Do not use the equipment when tired or under the influence of drugs, alcohol, or medication. A moment of inattention while operating this equipment may result in serious personal injury.

TECHNICAL DETAILS

SKU#		C1EC10A20D-AU	C1EC15A20D-AU	C1EC15A65D-US
Cable Capacity	Diameter	1.5mm ²	2.5mm ²	12AWG
	Number of Core	3	3	3
	Type	H07RN-F	H07RN-F	SJTOW
	Length	20m	20m	65ft
Volt		240V	240V	125V
Ampere		10A	15A	15A
Max. Wattage Coiled		1000 W	1600 W	-
Max. Wattage Uncoiled		2000 W	3200 W	-
Plug		AU 3 Pin Flat - 10A (M)	AU 3 Pin Flat - 15A (M)	US Type B (M)
Socket		AU 3 Pin Flat - 10A (F)	AU 3 Pin Flat - 15A (F)	3 x US Type B (F)





**LUBE
Control**

Lube Control Pty Ltd

TECHNICAL
DETAILS

SAFETY
PRECAUTIONS

INSTALLATION

OPERATION

MAINTENANCE

LIMITED
WARRANTY

TROUBLESHOOTING

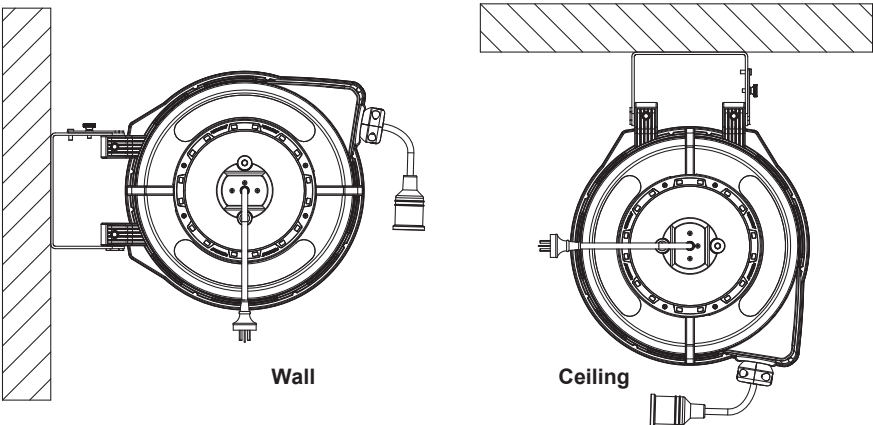
SAFETY PRECAUTIONS

⚠️ WARNING

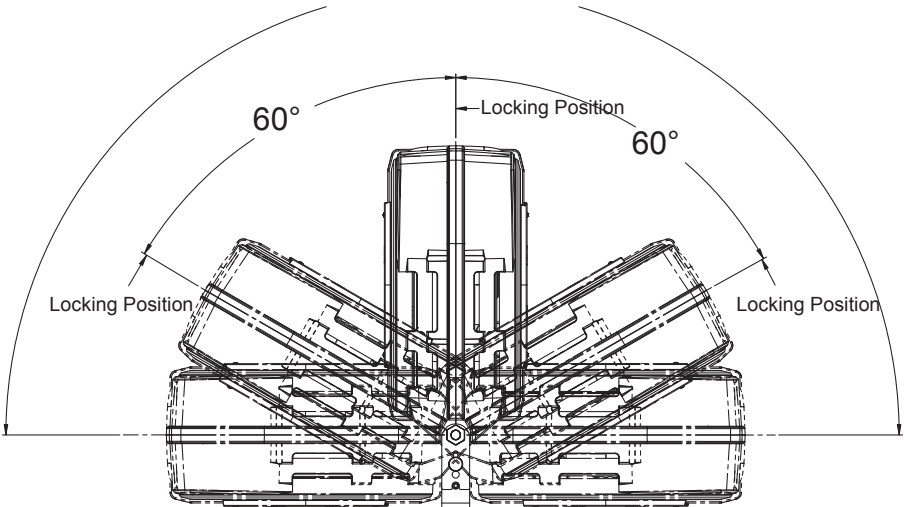
1. Read carefully and understand all INSTRUCTIONS before operating. Failure to follow the safety rules and other basic safety precautions may result in serious personal injury.
2. Save these instructions in a safe place and on hand so that they can be read when required.
3. The warnings, cautions, and instructions discussed in this instruction manual cannot cover all possible conditions or situations that could occur. It must be understood by the operator that common sense and caution are factors which cannot be built into this product, but must be supplied by the operator.
4. Keep children away from work area. Do not allow children to handle this product.
5. Ensure that the power supply voltage / wattage / amperage does not exceed the maximum rating of the reel.
6. Ensure that the reel is properly installed before connecting to the power supply.
7. Before attempting any maintenance turn off and disconnect the power supply.
8. Check for frayed and broken wires before each use. Do not attempt to repair damaged cable, in the case of damaged cable the reel should be disposed of immediately.
9. When pulling the electrical cable from the reel always grasp the electrical cable itself, not the work device.
10. If any malfunction occurs, immediately turn off and disconnect the power supply.
11. Never remove, tamper with or cut the safety devices fitted by the manufacturer.
12. Do not use the reel in damp or wet conditions. Keep the work area clean and dry.

INSTALLATION

1. Unpack and inspect reel for damage or missing parts. Turn by hand to check for smooth operation.
2. Check the operation by pulling out the cable and then recoil it back into the reel.
3. The cable reel must be installed in premises conforming to current regulation and standards covering systems and work environments.
4. For overhead ceiling mounting: Install the reel at a maximum of 10 ft/ 3m above the floor. Adjust the cable stopper to a suitable position when required.
5. Secure the cable reel to the wall and the ceiling according to the installation diagrams. Using screw anchors or suitable screws which must be fitted in the holes in the brackets. You will need to purchase appropriate hardware for mounting your new reel.
 - a. The reel base has two 8.5mm drilled holes for mounting on a suitable flat surface.
 - b. Using the two holes in the base, mount the reel in the desired location. Be sure to use appropriate hardware and tighten securely.



180° FREEDOM OF ROTATION





OPERATION

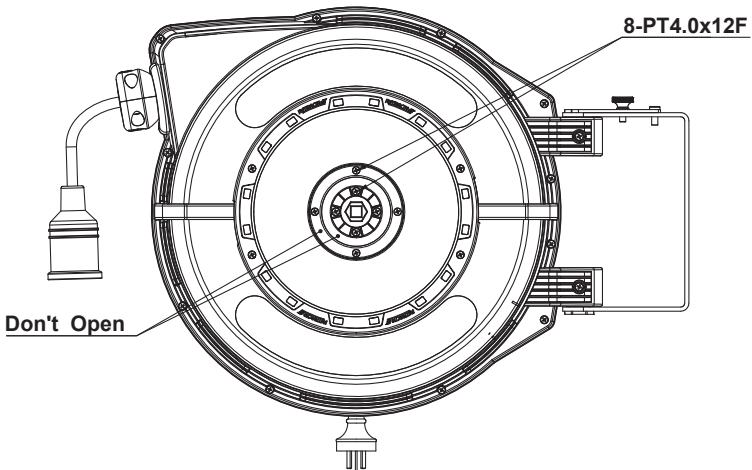
1. Check the reel for correct operation by slowly pulling out the cable.
2. To latch the reel, slowly pull out the cable to any point, relax the cable to stop. Note: it can not exceed the back end mark when the cable is pulled out.
3. To unlatch the reel, slowly pull the hose after relax, and then let the cable retract until the cable stop rests against the cable guide.
4. If there is a power overload, the thermal cut-out will switch off automatically. Push the red button to reset.

Note: To avoid damage to the reel, always hold onto the cable while it is rewinding.

⚠️ WARNING

DO NOT OPEN COVER.

This reel is non-repairable and must not be opened as this can cause serious injury or death. There are no spare parts available. See below picture.



MAINTENANCE

1. Make sure the cable is in proper working order.
2. Cleaning: Before cleaning ensure the reel is turned off and disconnected from the power supply.
3. Clean the cable with a cloth dipped in warm water to remove dirt or deposits and ensure correct rewinding.
4. Do not use detergents or solvents which could be incompatible with the cable reel materials.
5. Do not disassemble the reel. This reel is not servicable.

LIMITED WARRANTY

For Warranty Terms and Conditions see macnaught.com.au / macnaughtusa.com.
For a list of Australian Service Centres see macnaught.com.au

TROUBLESHOOTING

1. **Failure:** The cable does not conduct power
2. **Possible cause:** Overload or overheat protection
3. **Corrective Action:** Press the red button on the side cover



LUBE
Control

Lube Control Pty Ltd



LUBE
Control

Lube Control Pty Ltd



* Read Manual Before Use!

Size: 145x210mm 157克双铜 REV 07/27/23