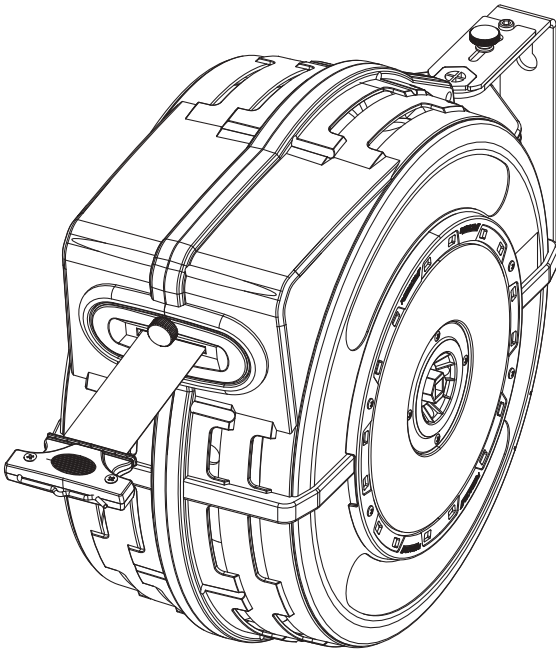




Lube Control Pty Ltd



Safety Barrier Reel Instruction Manual



WARNING:

Read carefully and understand all INSTRUCTIONS before operating. Failure to follow the safety rules and other basic safety precautions may result in serious personal injury. Save these instructions in a safe place and on hand so that they can be read when required.

REV 07/27/23



LUBE
Control

Lube Control Pty Ltd



GENERAL SAFETY REGULATIONS



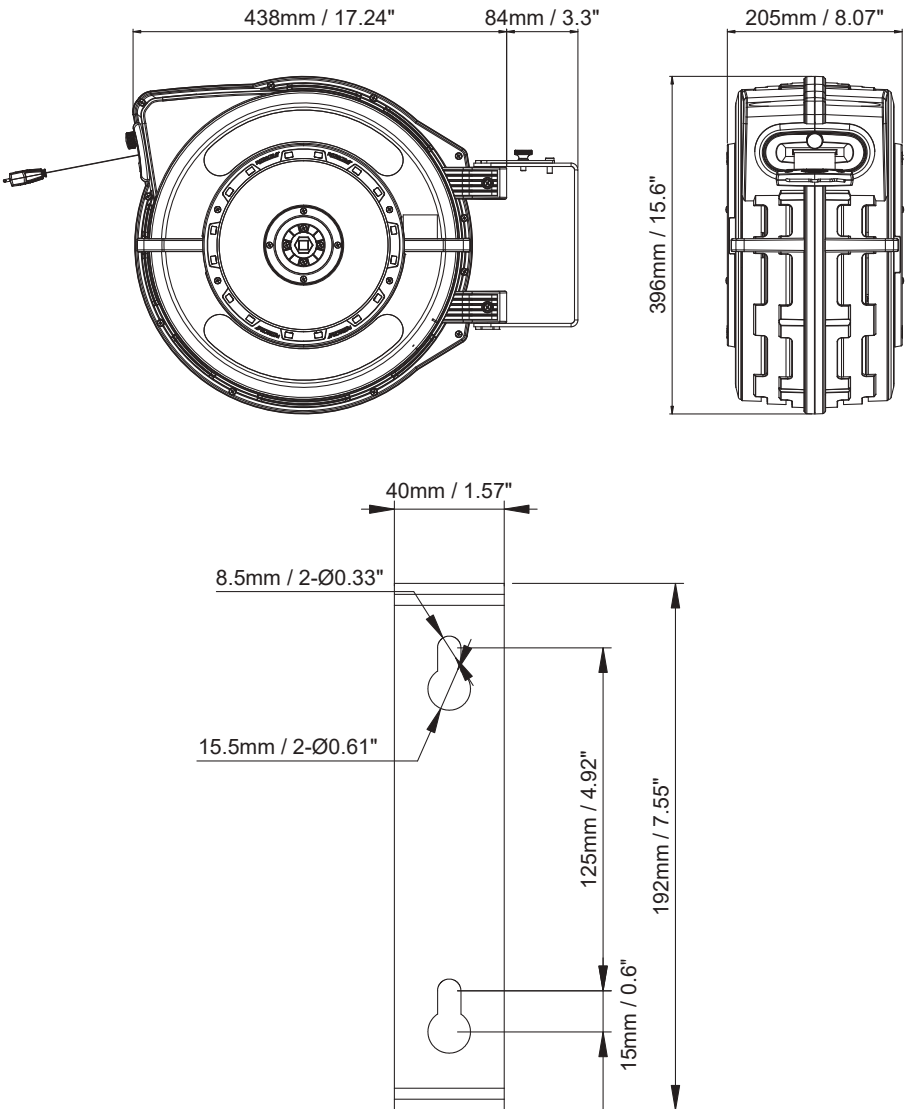
WARNING: The warnings, cautions, and instructions discussed in this instruction manual cannot cover all possible conditions or situations that could occur. It must be understood by the operator that common sense and caution are factors that cannot be built into this product, but must be supplied by the operator.

The following general warnings should be observed when installing, operating or maintaining barrier reel equipment.

1. Keep the work area clean and dry. Damp or wet work areas can result in injury.
2. Keep children away from work area. Do not allow children to handle this product.
3. The operator should wear appropriate protection equipment to protect against personal injury.
4. Do not let go of the barrier tape when rewinding.
5. Use the right tool for the job. Do not attempt to force small equipment to do the work of larger industrial equipment. There are certain applications for which this equipment was designed. It will do the job better and more safely at the capacity for which it was intended. Do not modify this equipment, and do not use this equipment for a purpose for which it was not intended.
6. Check for damaged parts. Before using this product, carefully check that it will operate properly and perform its intended function. Check for damaged parts and any other conditions that may affect the operation of this product. DO NOT use damaged equipment.
7. Do not overreach. Keep proper footing and balance at all times to prevent tripping, falling, back injury, etc.
8. Do not use the equipment when tired or under the influence of drugs, alcohol, or medication. A moment of inattention while operating this equipment may result in serious personal injury.

TECHNICAL DETAILS

SKU#	Barrier Tape Capacity			
	Thickness	Width	Length	Colour
C1BRW5025Y	0.5mm	48mm	25m / 82ft	Red / White
C1BYB5025Y	0.5mm	48mm	25m / 82ft	Yellow / Black





**LUBE
Control**

Lube Control Pty Ltd

TECHNICAL
DETAILS

SAFETY
PRECAUTIONS

INSTALLATION

OPERATION

MAINTENANCE

LIMITED
WARRANTY

TRANSPORTATION

SAFETY PRECAUTIONS

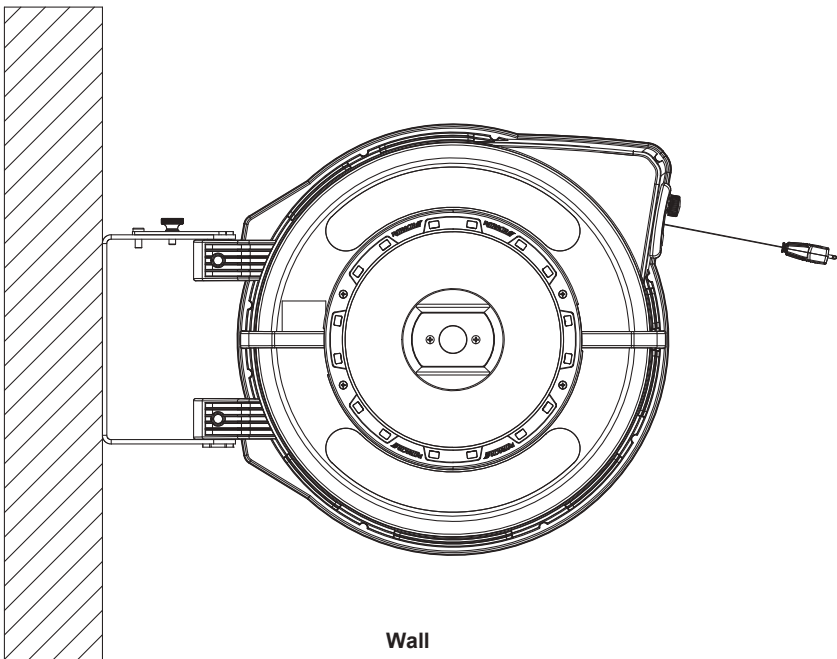
⚠ WARNING

Use appropriate safety equipment when fitting and using this barrier tape reel.

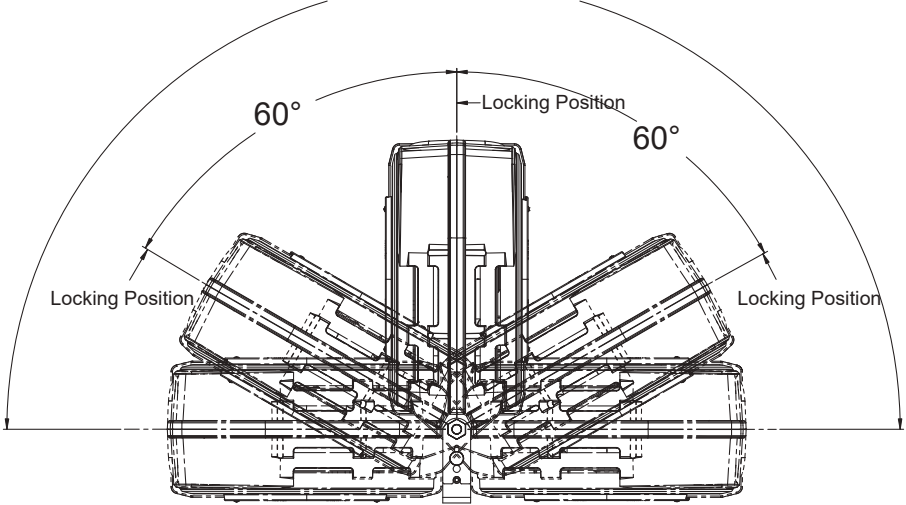
1. Keep children away from the work area.
2. Make sure the tape is fully recoiled and spring tension is released before carrying out any maintenance.
3. Personal injury and/or equipment damage may result if proper safety precautions are not observed.
4. Make sure the spring force is fully released before maintenance.
5. Don't jerk the warning tape.

INSTALLATION

1. Unpack and inspect reel for damage. Turn by hand to check for smooth operation.
2. Check operation by pulling out the tape and then recoiling it back into the reel.
3. Secure the tape reel to the wall and the ceiling according to the installation diagrams. Using screw anchors or suitable screws which must be fitted in the holes in the brackets. You will need to purchase appropriate hardware for mounting your new reel.
 - a. The reel base has two 8.5mm drilled holes for mounting on a suitable flat surface.
 - b. Using the two holes in the base, mount the reel in the desired location. Be sure to use appropriate hardware and tighten securely.

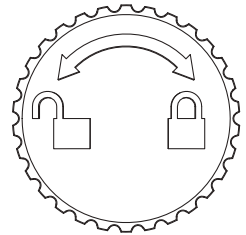


180° FREEDOM OF ROTATION



OPERATION

1. Check reel for correct operation by slowly pulling out warning tape.
2. To **LOCK** the tape, pull out the warning tape, turn the knob to **LOCK** position.
3. To **UNLOCK**, hold the tape, turn the knob to **UNLOCK** position, release the tape slowly till it is retracted into reel completely.
4. Equipped with slow retraction system to ensure safe use.



Anchorage Method

The reel contains accessory package (including magnet, eye screw and expansion plug). The tape anchor method can vary, the anchors supplied will suit most applications.

1. The fixing pin on the reel can be directly hooked into the slot hole, or the belt can be clamped with the pin after wrapping the object with a warning tape (**see Figure 1**).
2. The magnet is hung on the fixed pin. Through the magnet, the warning tape can be directly connected with the metal surface (**see Figure 2**).
3. The eye screw can be fixed onto wood board or timber, and the fixing pin can be connected with it (**see Figure 3**).
4. The expansion plug is used together with the eye screw, and the fixing pin is connected to the wall (**see Figure 4**).

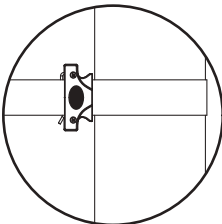


Figure 1

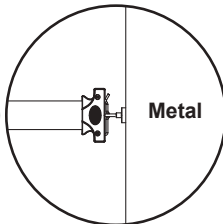


Figure 2

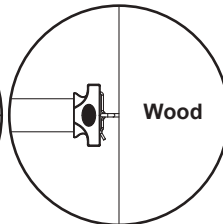


Figure 3

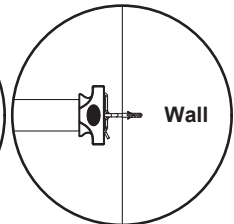
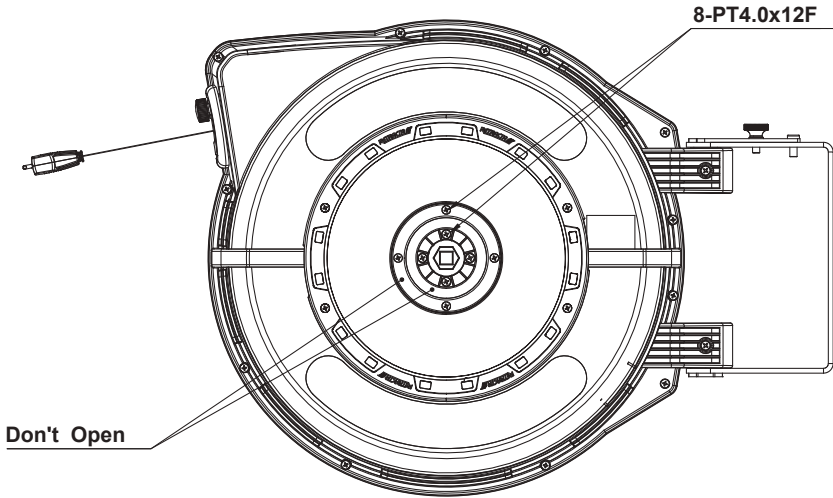


Figure 4

⚠ WARNING

DO NOT OPEN COVER.

This reel is non-repairable and must not be opened as this can cause serious injury or death. There are no spare parts available. See below picture.



MAINTENANCE

1. Make sure the tape is in proper working order.
2. Clean the tape with a cloth dipped in warm water to remove dirt or deposits and ensure correct rewinding.
3. Do not use detergents or solvents which could be incompatible with reel materials.
4. Do not disassemble the reel. This reel is not servicable.

LIMITED WARRANTY

For Warranty Terms and Conditions see macnaught.com.au / macnaughtusa.com.
For a list of Australian Service Centres see macnaught.com.au



LUBE
Control

Lube Control Pty Ltd



LUBE
Control

Lube Control Pty Ltd



* Read Manual Before Use!

Size: 145x210mm 157克双铜 REV 07/27/23