

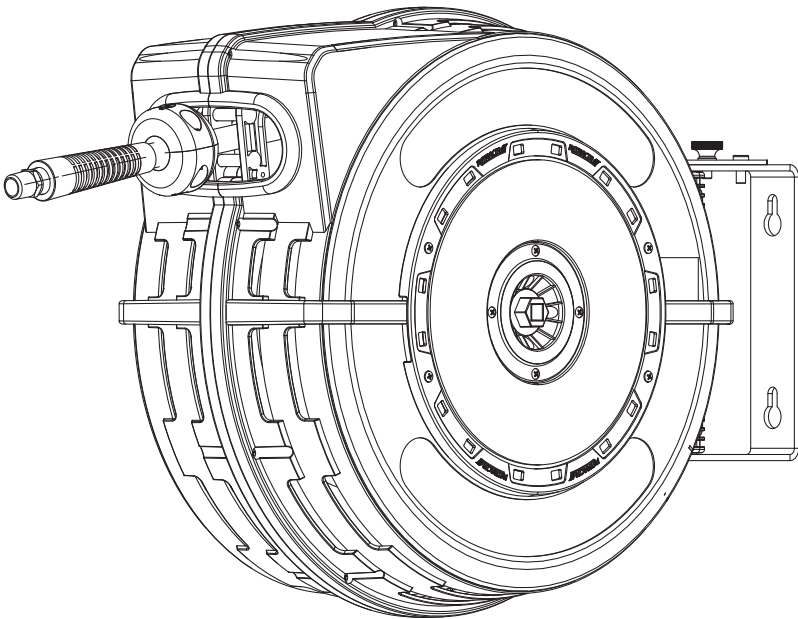


LUBE
Control

Lube Control Pty Ltd



Spring Driven Hose Reel Instruction Manual



WARNING:

Read carefully and understand all **INSTRUCTIONS** before operating. Failure to follow the safety rules and other basic safety precautions may result in serious personal injury. Save these instructions in a safe place and on hand so that they can be read when required.

REV 07/27/23



LUBE
Control

Lube Control Pty Ltd



GENERAL SAFETY REGULATIONS



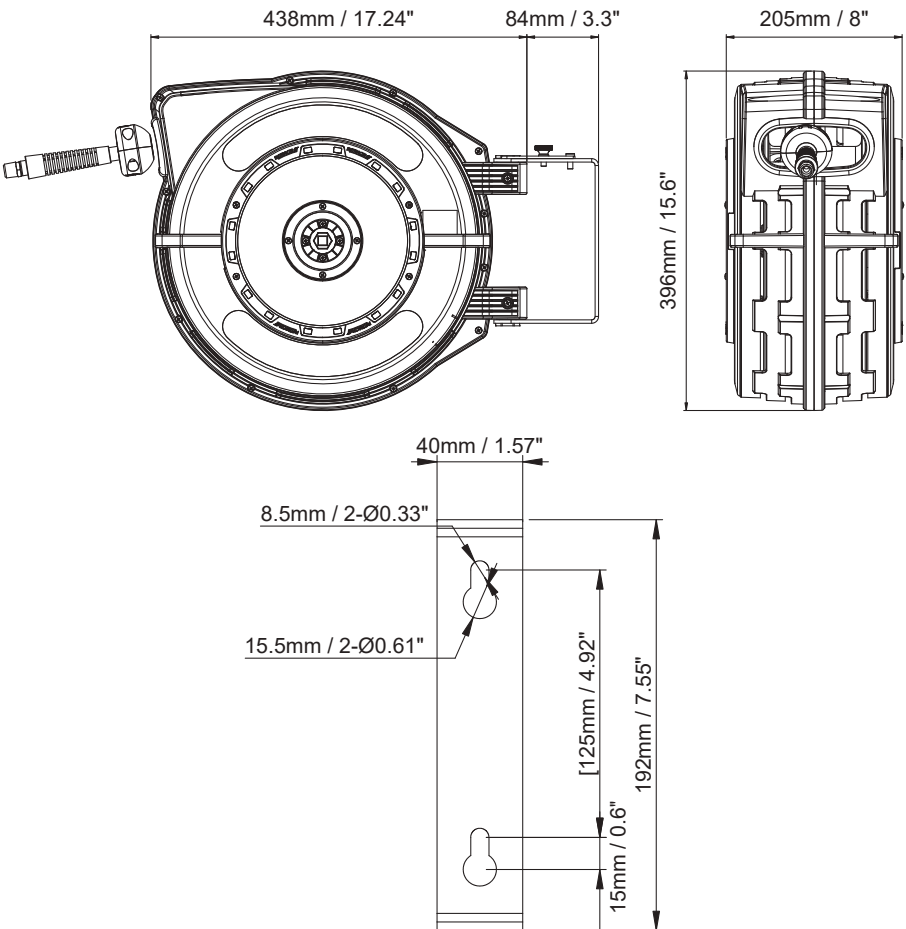
WARNING: The warnings, cautions, and instructions discussed in this instruction manual cannot cover all possible conditions or situations that could occur. It must be understood by the operator that common sense and caution are factors that cannot be built into this product, but must be supplied by the operator.

The following general warnings should be observed when installing, operating or maintaining hose reel equipment.

1. Keep the work area clean and dry. Damp or wet work areas can result in injury.
2. Keep children away from work area. Do not allow children to handle this product.
3. The operator should wear appropriate protection equipment to protect against personal injury.
4. Do not let go of the hose when rewinding.
5. Do not attempt to stop leaks with your hand or body.
6. Caution should be observed against burning due to hot water temperature when using hot water reels.
7. Use reel in well ventilated areas if toxic or flammable fluids are in use.
8. Do not exceed the maximum working pressure for this reel. (Refer to the Technical Details)
9. Only use compatible fluids with this reel. (Refer to compatible fluids in the Technical Details)
10. Use the right tool for the job. Do not attempt to force small equipment to do the work of larger industrial equipment. There are certain applications for which this equipment was designed. It will do the job better and more safely at the capacity for which it was intended. Do not modify this equipment, and do not use this equipment for a purpose for which it was not intended.
11. Check for damaged parts. Before using this product, carefully check that it will operate properly and perform its intended function. Check for damaged parts and any other conditions that may affect the operation of this product. **DO NOT** use damaged equipment.
12. Before attempting any maintenance disconnect and turn off supply line, then release the line pressure.
13. Do not overreach. Keep proper footing and balance at all times to prevent tripping, falling, back injury, etc.
14. Do not use the equipment when tired or under the influence of drugs, alcohol, or medication. A moment of inattention while operating this equipment may result in serious personal injury.

TECHNICAL DETAILS

Item No.	Hose Reel Type	Max. Pressure	Hose Working Temperature	Hose Capacity			Inlet	Outlet
				Material	I.D.	Length		
C1AW315B-01CB	Air / Water	250 psi	-20°C ~ 60°C	Hybrid Polymer	3/8"	15m	3/8" BSPT (M)	1/4" BSPT (M)
C1AW350B-02CB	Air / Water	250 psi	-4°F ~ 140°F	Hybrid Polymer	3/8"	50ft	3/8" NPT (M)	1/4" NPT (M)
C1AW412B-01CC	Air / Water	250 psi	-20°C ~ 60°C	Hybrid Polymer	1/2"	12m	3/8" BSPT (M)	3/8" BSPT (M)
C1AW440B-02CC	Air / Water	250 psi	-4°F ~ 140°F	Hybrid Polymer	1/2"	40ft	3/8" NPT (M)	3/8" NPT (M)
C1HC412R-01DD	Hot / Cold Water	300 psi	-40°C ~ 80°C	Hybrid Polymer	1/2"	12m	1/2" BSP(F)	1/2" BSPT (M)
C1HC440R-06FD	Hot / Cold Water	300 psi	-40°F ~ 176°F	Hybrid Polymer	1/2"	40ft	3/4"-11 1/2 GHT (F)	1/2" NPT (M)
C1HC412R-01DD-SG	Hot / Cold Water	300 psi	-40°C ~ 80°C	Hybrid Polymer	1/2"	12m	1/2" BSP(F)	1/2" BSPT (M)
C1HC440R-06FD-SG	Hot / Cold Water	300 psi	-40°F ~ 176°F	Hybrid Polymer	1/2"	40ft	3/4"-11 1/2 GHT (F)	1/2" NPT (M)
C1DR412D-03DD	Garden / Horticulture	150 psi	0°C ~ 60°C	Hybrid Polymer	1/2"	12m	1/2" Quick Connector	1/2" Quick Connector
C1DR440D-07FD	Garden / Horticulture	150 psi	32°F ~ 140°F	Hybrid Polymer	1/2"	40ft	3/4"-11 1/2 GHT (F)	1/2" Quick Connector
C1WD315R-01CB	Weedicide / Pesticides	300 psi	0°C ~ 60°C	PVC	3/8"	15m	3/8" BSPT (M)	1/4" BSPT (M)



HOSE REEL SAFETY PRECAUTIONS

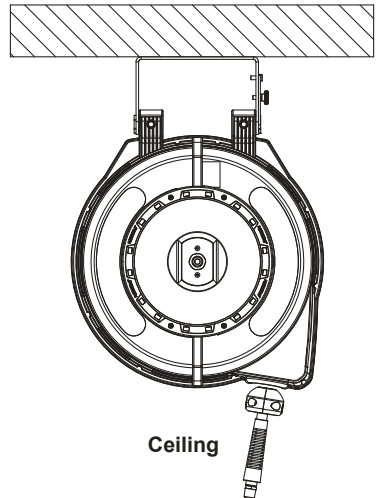
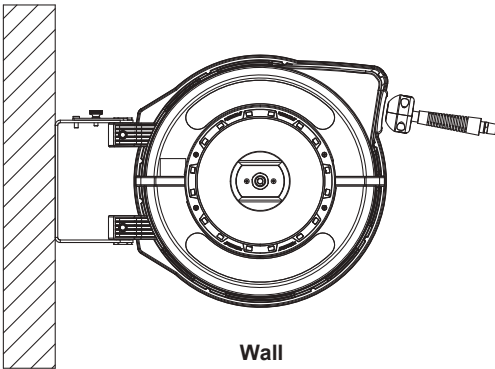
1. Use proper eye protection when assembling and using the hose reel.
2. Keep children away from the work area.
3. Personal injury and/or equipment damage may result if proper safety precautions are not observed.
4. Ensure that the reel is properly installed before connecting input and output hoses.
5. Bleed fluid/gas pressure from the system before servicing the reel.
6. Before connecting the reel to the supply line, ensure that the pressure does not exceed the maximum working pressure rating of the reel.
7. Remember, even low pressure is very dangerous and can cause personal injury or death.
8. If a leak occurs in the hose or reel, remove system pressure immediately.
9. Ensure that the reel, hose, and equipment being serviced is properly grounded.
10. If the reel ceases to unwind or rewind, remove the system pressure immediately.
11. Do not pull or jerk on the hose.

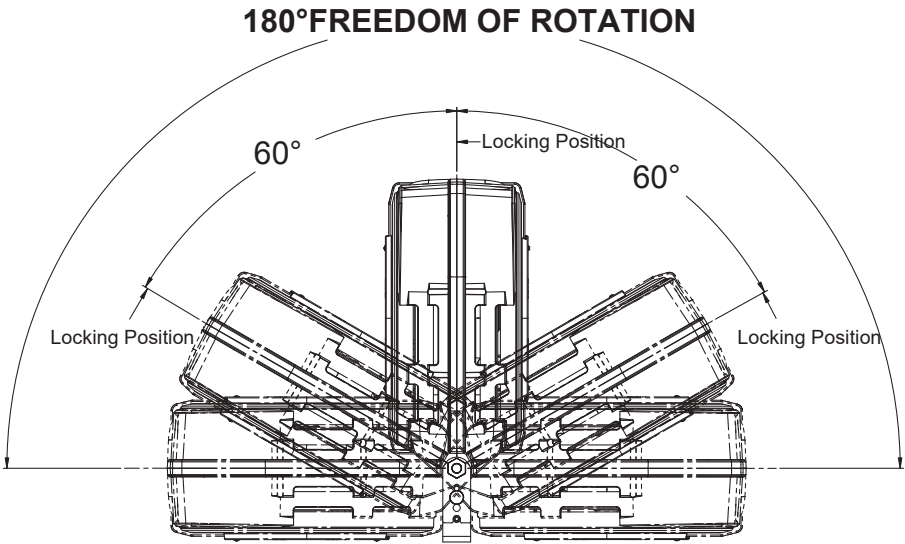


WARNING: Exposure of skin directly to pressurised air, or fluids could result in severe bodily injury.

INSTALLATION

1. Prior to mounting the hose reel, ensure that the supply line pressure does not exceed the maximum working pressure of the hose reel.
2. Unpack and inspect the reel for damage. Turn by hand to check for smooth operation.
3. Check operation by pulling out hose and then recoiling it back into the reel.
4. For overhead ceiling mounting: Install reel at most 10 ft/ 3m above the floor.
5. You will need to purchase appropriate hardware for mounting your new reel.
 - a. The reel base has two 8.5mm drilled holes for mounting on a suitable flat surface.
 - b. Using the two holes in the base, mount the reel in the desired location. Be sure to use appropriate hardware and tighten securely.





5. Apply teflon tape or pipe sealant to supply line threads, attach to reel inlet and tighten. The other end of the incoming line can now be connected to the desired supply source.
6. Apply teflon tape or pipe sealant to outlet fitting on the reel hose, then attach to desired tool, or nozzle. Check connection for leakage, also check the hose reel for correct operation. Refer to **Operation** section.
7. If hose stopper adjustment is required, pull the hose from the reel and allow to latch at desired length. Loosen stopper bolts, and slide the stopper to a position close to the hose guide. Tighten stopper bolts, and unlatch the reel.

OPERATION

1. Check the reel for correct operation by slowly pulling out the hose. A "clicking" noise will be heard every half revolution of the drum.
2. To latch the reel, pull out the hose and allow it to retract after hearing the first second or third "click".
3. To unlatch, slowly pull out the hose until the "clicking" noise stops, then let the hose retract until the hose stopper rests against the hose guide.
4. If necessary, adjust spring tension on the reel by adding or removing wraps of the hose from the spool, one wraps at a time, until the desired tension is obtained. Add wraps to increase tension. Remove wraps to decrease tension.



WARNING:

DO NOT OPEN COVER.

This reel is non-repairable and must not be opened as this can cause serious injury or death. There are no spare parts available. See below picture.



LUBE
Control

Lube Control Pty Ltd

TECHNICAL
DETAILS

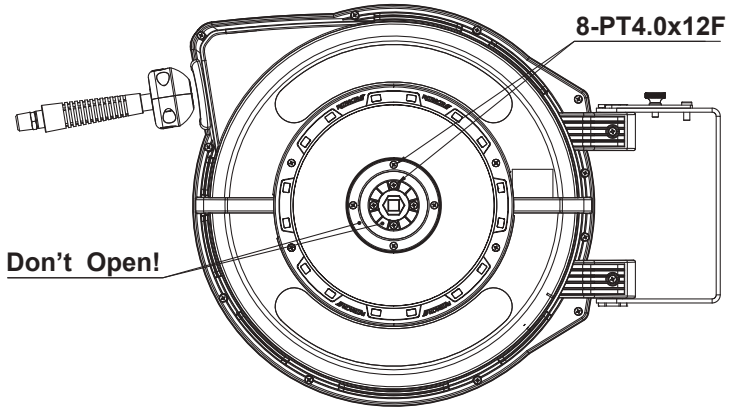
SAFETY
PRECAUTIONS

INSTALLATION

OPERATION

MAINTENANCE

LIMITED
WARRANTY



MAINTENANCE

1. Make sure the hose is in proper working order.
2. Clean the hose with a cloth dipped in warm water to remove dirt or deposits and ensure correct rewinding.
3. Do not use detergents or solvents which could prove incompatible with reel materials.
4. Dismantling of the unit by unskilled personal could prove hazardous; the risk involved mainly concerns the preloaded springs.

LIMITED WARRANTY

For Warranty Terms and Conditions see macnaught.com.au / macnaughtusa.com.
For a list of Australian Service Centres see macnaught.com.au



LUBE
Control

Lube Control Pty Ltd



LUBE
Control

Lube Control Pty Ltd



* Read Manual Before Use!

Size: 145x210mm 157克双铜 REV 07/27/23